

Алматы (7273)495-231	Калининград (4012)72-03-81	Омск (3812)21-46-40	Сыктывкар (8212)25-95-17
Ангарск (3955)60-70-56	Калуга (4842)92-23-67	Орел (4862)44-53-42	Тамбов (4752)50-40-97
Архангельск (8182)63-90-72	Кемерово (3842)65-04-62	Оренбург (3532)37-68-04	Тверь (4822)63-31-35
Астрахань (8512)99-46-04	Киров (8332)68-02-04	Пенза (8412)22-31-16	Тольятти (8482)63-91-07
Барнаул (3852)73-04-60	Коломна (4966)23-41-49	Петрозаводск (8142)55-98-37	Томск (3822)98-41-53
Белгород (4722)40-23-64	Кострома (4942)77-07-48	Псков (8112)59-10-37	Тула (4872)33-79-87
Благовещенск (4162)22-76-07	Краснодар (861)203-40-90	Пермь (342)205-81-47	Тюмень (3452)66-21-18
Брянск (4832)59-03-52	Красноярск (391)204-63-61	Ростов-на-Дону (863)308-18-15	Ульяновск (8422)24-23-59
Владивосток (423)249-28-31	Курск (4712)77-13-04	Рязань (4912)46-61-64	Улан-Удэ (3012)59-97-51
Владикавказ (8672)28-90-48	Курган (3522)50-90-47	Самара (846)206-03-16	Уфа (347)229-48-12
Владимир (4922)49-43-18	Липецк (4742)52-20-81	Саранск (8342)22-96-24	Хабаровск (4212)92-98-04
Волгоград (844)278-03-48	Магнитогорск (3519)55-03-13	Санкт-Петербург (812)309-46-40	Чебоксары (8352)28-53-07
Вологда (8172)26-41-59	Москва (495)268-04-70	Саратов (845)249-38-78	Челябинск (351)202-03-61
Воронеж (473)204-51-73	Мурманск (8152)59-64-93	Севастополь (8692)22-31-93	Череповец (8202)49-02-64
Екатеринбург (343)384-55-89	Набережные Челны (8552)20-53-41	Симферополь (3652)67-13-56	Чита (3022)38-34-83
Иваново (4932)77-34-06	Нижний Новгород (831)429-08-12	Смоленск (4812)29-41-54	Якутск (4112)23-90-97
Ижевск (3412)26-03-58	Новокузнецк (3843)20-46-81	Сочи (862)225-72-31	Ярославль (4852)69-52-93
Иркутск (395)279-98-46	Новосибирск (383)227-86-73	Ставрополь (8652)20-65-13	
Казань (843)206-01-48	Киргизия (996)312-96-26-47	Сургут (3462)77-98-35	
		Россия (495)268-04-70	Казахстан (772)734-952-31

Electric Pedestrian Pallet Truck KH.HS 3000

Standard equipment:

- Max travel speed - 9,0 km/h
- Capacity - 3000 kg
- Lifting height – 125 mm
- Modern AC technology - for high speed, high torque, quiet and smooth running:
 - AC Drive motor - 2,9 kW
 - AC Steering motor - 0,4 kW
- DC pump motor – 2,0 kW
- Electronics - modern CANBUS-architecture requiring less wiring, giving better reliability, providing easy and fast diagnostics
- Electric powered progressive steering
- Automatic Braking:
 - EMERGENCY and PARKING electromagnetic brake
 - REGENERATIVE Braking when releasing Accelerator in a neutral position or reversing the travel direction
 - REGENERATIVE Braking over-boost when stepping on the Brake pedal
- Speed control by Pulse controller AC/375A, including REGENERATIVE BRAKING with energy reclamation to the battery
- Horn
- Automatic Braking:
 - EMERGENCY and PARKING electromagnetic brake
 - REGENERATIVE BRAKING when releasing Accelerator in a neutral position or reversing the travel direction
- Traction battery 24V/280Ah C5 / wet PbAcid battery
- High frequency / HF automatic on-board charger 24V/30A 1 ph.
- EMERGENCY Switch
- Multifunctional Digital Indicator displaying:
 - Battery's state of charge
 - Hour meter
 - Alarms
 - 3 factory preselected Driving Modes (SPD HI / SPD MID / SPD LO)
- Rollers and wheels in VULKOLLAN, load-side - Tandem rollers / as standard
- Two castor wheels, left and right driver-side
- Spring loaded Drive Wheel, mid driver-side
- CREEP SPEED function – traveling in restricted areas with Tiller-arm in upright/vertical position (pedestrian mode)
- In accordance to [EN 1726-2](#):
 - Automatically foldable stand-on Platform and manually foldable Side Protection Arms / in [Stand-on driving mode](#)
 - Automatic Travel speed reduction / in [Pedestrian-driving mode](#)
 - Automatic Travel speed reduction when cornering more than 10° left/right / in [Stand-on driving mode](#)
- Low maintenance Drive-wheel unit:
 - Modern AC traction motor in vertical position
 - High efficient gear box /gears in oil bath – long Service Intervals
 - High quality Traction wheel with VULKOLLAN, 93° Shore A tyre (other tyres available on request)
 - High quality Electromagnetic Brake with environment-friendly friction lining

Optional equipment:

- Authorised access with PIN Code management
- Optional batteries:
 - 24V 3PzS/315 Ah C5, incl. charger 24V/45A 1 ph.
 - 24V 3PzS/375 Ah C5, incl. charger 24V/45A 1 ph.
- Maintenance-free batteries HAWKER (GEL or NexSys)
- Li-Ion maintenance-free batteries MIDAC

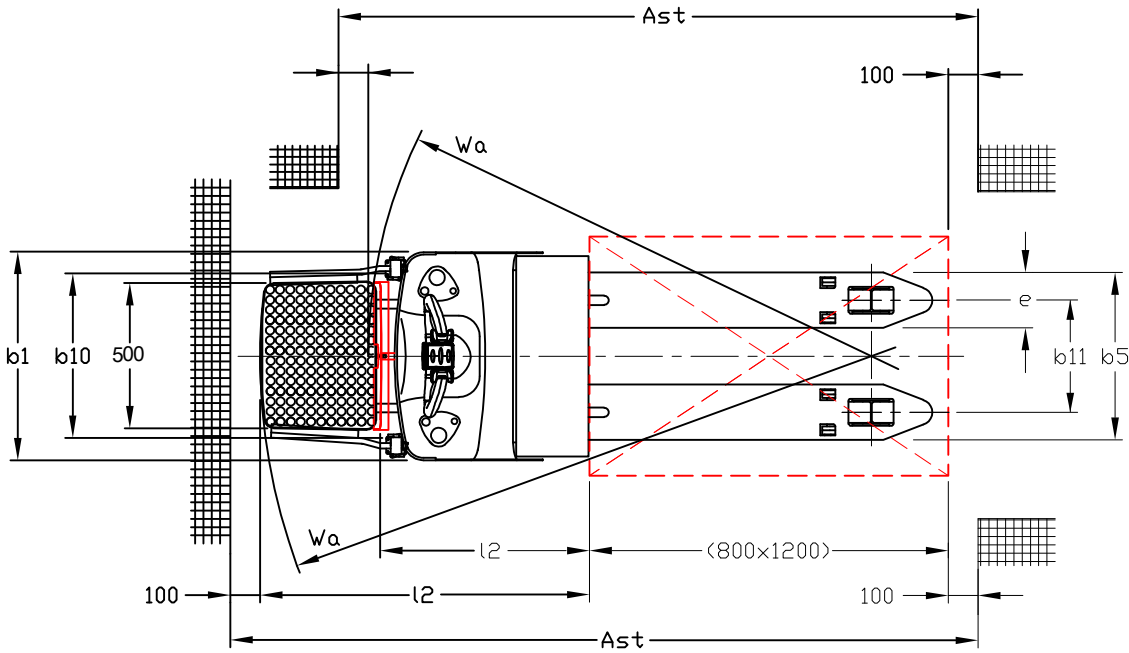
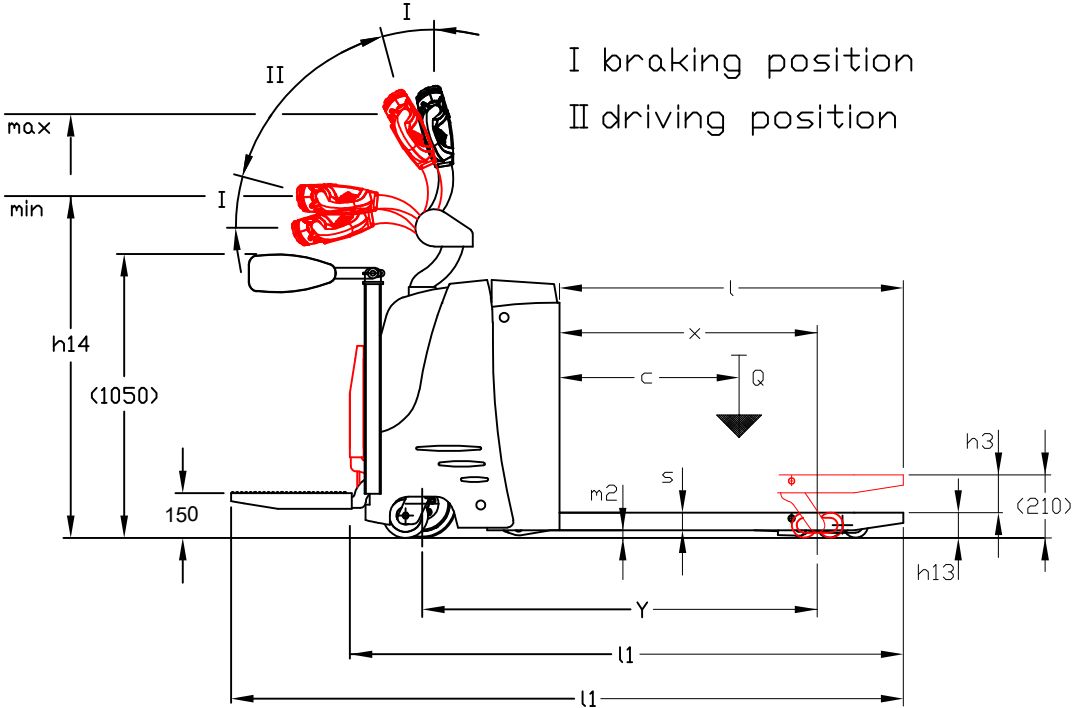
Electric Stand-on Pallet Truck KH.HS 3000

Type sheet for industrial Trucks according to VDI 2198

Characteristics	1.1	Manufacturer			VENI
	1.2	Manufacturer's type designation			KH.HS 3000
	1.3	Power unit			Battery
	1.4	Operation (pedestrian, stand on, seated)			Stand-on/Pedestrian
	1.5	Load capacity	Q	(kg)	3000
	1.6	Load centre	c	(mm)	600
	1.8	Axle centre to fork face	x	(mm)	862(*)
	1.9	Wheelbase	y	(mm)	1335(*)
	Weight	2.1	Service weight incl. battery		(kg)
Wheel/tyres	3.1	Tyres front/rear (Polyurethane/PU, Vulkollan/VU)			VU/VU
	3.2	Tyre size, front		(mm)	D 254x100
	3.3	Tyre size, rear		(mm)	D 85x80
	3.4	Support wheels		(mm)	D 125x50 Twin
	3.5	Wheels, number front / rear (x=driven)		(mm)	1x+2/4
	3.6	Track width, front	b ₁₀	(mm)	520
	3.7	Track width, rear	b ₁₁	(mm)	375
Dimensions	4.4	Lift	h ₃	(mm)	125
	4.9	Height of tiller in drive position min./max.	h ₁₄	(mm)	1200/1450
	4.15	Fork height, lowered	h ₁₃	(mm)	85
	4.19	Overall length with/without platform	l ₁	(mm)	2260/1840
	4.20	Length to fork face with/without platform	l ₂	(mm)	1110/690
	4.21	Overall width	b ₁	(mm)	780
	4.22	Fork dimensions	s/e/l	(mm)	60/185/1150
	4.25	Overall forks width	b ₅	(mm)	560
	4.32	Ground clearance, centre of wheelbase	m ₂	(mm)	25/150
	4.34	Aisle width with pallet 800x1200 mm along forks with/without platform	Ast	(mm)	2510/2100
	4.35	Turning radius with/without platform	Wa	(mm)	1972/1562
Performance	5.1	Travel speed, with/without load		(km/h)	8.0/9.0
	5.2	Lifting speed, with/without load		(m/s)	0.054/0.090
	5.3	Lowering speed, with/without load		(m/s)	0.065/0.050
	5.8	Maximum gradeability, with/without load		(%)	8/16
	5.10	Service brake			Electromagnetic
Drive	6.1	Drive motor, rating S2 60 min		(kW)	2.9
	6.2	Lift motor, rating S3 15%		(kW)	2.0
	6.4	Battery voltage/rated capacity C5		(V/Ah)	24/280
Others	8.1	Type of drive control			Pulse controller
					AC/375A

(*) - Load section lowered+72 mm

KH.HS 3000



Алматы (7273)495-231	Калининград (4012)72-03-81	Омск (3812)21-46-40	
Ангарск (3955)60-70-56	Калуга (4842)92-23-67	Орел (4862)44-53-42	
Архангельск (8182)63-90-72	Кемерово (3842)65-04-62	Оренбург (3532)37-68-04	Сыктывкар (8212)25-95-17
Астрахань (8512)99-46-04	Киров (8332)68-02-04	Пенза (8412)22-31-16	Тамбов (4752)50-40-97
Барнаул (3852)73-04-60	Коломна (4966)23-41-49	Петрозаводск (8142)55-98-37	Тверь (4822)63-31-35
Белгород (4722)40-23-64	Кострома (4942)77-07-48	Псков (8112)59-10-37	Тольятти (8482)63-91-07
Благовещенск (4162)22-76-07	Краснодар (861)203-40-90	Пермь (342)205-81-47	Томск (3822)98-41-53
Брянск (4832)59-03-52	Красноярск (391)204-63-61	Ростов-на-Дону (863)308-18-15	Тула (4872)33-79-87
Владивосток (423)249-28-31	Курск (4712)77-13-04	Рязань (4912)46-61-64	Тюмень (3452)66-21-18
Владикавказ (8672)28-90-48	Курган (3522)50-90-47	Самара (846)206-03-16	Ульяновск (8422)24-23-59
Владимир (4922)49-43-18	Липецк (4742)52-20-81	Саранск (8342)22-96-24	Улан-Удэ (3012)59-97-51
Волгоград (844)278-03-48	Магнитогорск (3519)55-03-13	Санкт-Петербург (812)309-46-40	Уфа (347)229-48-12
Вологда (8172)26-41-59	Москва (495)268-04-70	Саратов (845)249-38-78	Хабаровск (4212)92-98-04
Воронеж (473)204-51-73	Мурманск (8152)59-64-93	Севастополь (8692)22-31-93	Чебоксары (8352)28-53-07
Екатеринбург (343)384-55-89	Набережные Челны (8552)20-53-41	Симферополь (3652)67-13-56	Челябинск (351)202-03-61
Иваново (4932)77-34-06	Нижний Новгород (831)429-08-12	Смоленск (4812)29-41-54	Череповец (8202)49-02-64
Ижевск (3412)26-03-58	Новокузнецк (3843)20-46-81	Сочи (862)225-72-31	Чита (3022)38-34-83
Иркутск (395)279-98-46	Ноябрьск (3496)41-32-12	Ставрополь (8652)20-65-13	Якутск (4112)23-90-97
Казань (843)206-01-48	Новосибирск (383)227-86-73	Сургут (3462)77-98-35	Ярославль (4852)69-52-93
	Киргизия (996)312-96-26-47	Россия (495)268-04-70	Казахстан (772)734-952-31