

Алматы (7273)495-231  
 Ангарск (3955)60-70-56  
 Архангельск (8182)63-90-72  
 Астрахань (8512)99-46-04  
 Барнаул (3852)73-04-60  
 Белгород (4722)40-23-64  
 Благовещенск (4162)22-76-07  
 Брянск (4832)59-03-52  
 Владивосток (423)249-28-31  
 Владикавказ (8672)28-90-48  
 Владимир (4922)49-43-18  
 Волгоград (844)278-03-48  
 Вологда (8172)26-41-59  
 Воронеж (473)204-51-73  
 Екатеринбург (343)384-55-89  
 Иваново (4932)77-34-06  
 Ижевск (3412)26-03-58  
 Иркутск (395)279-98-46  
 Казань (843)206-01-48

Калининград (4012)72-03-81  
 Калуга (4842)92-23-67  
 Кемерово (3842)65-04-62  
 Киров (8332)68-02-04  
 Коломна (4966)23-41-49  
 Кострома (4942)77-07-48  
 Краснодар (861)203-40-90  
 Красноярск (391)204-63-61  
 Курск (4712)77-13-04  
 Курган (3522)50-90-47  
 Липецк (4742)52-20-81  
 Магнитогорск (3519)55-03-13  
 Москва (495)268-04-70  
 Мурманск (8152)59-64-93  
 Набережные Челны (8552)20-53-41  
 Нижний Новгород (831)429-08-12  
 Новокузнецк (3843)20-46-81  
 Ноябрьск (3496)41-32-12  
 Новосибирск (383)227-86-73  
 Киргизия (996)312-96-26-47

Омск (3812)21-46-40  
 Орел (4862)44-53-42  
 Оренбург (3532)37-68-04  
 Пенза (8412)22-31-16  
 Петрозаводск (8142)55-98-37  
 Псков (8112)59-10-37  
 Пермь (342)205-81-47  
 Ростов-на-Дону (863)308-18-15  
 Рязань (4912)46-61-64  
 Самара (846)206-03-16  
 Саранск (8342)22-96-24  
 Санкт-Петербург (812)309-46-40  
 Саратов (845)249-38-78  
 Севастополь (8692)22-31-93  
 Симферополь (3652)67-13-56  
 Смоленск (4812)29-41-54  
 Сочи (862)225-72-31  
 Ставрополь (8652)20-65-13  
 Сургут (3462)77-98-35  
 Россия (495)268-04-70

Сыктывкар (8212)25-95-17  
 Тамбов (4752)50-40-97  
 Тверь (4822)63-31-35  
 Тольятти (8482)63-91-07  
 Томск (3822)98-41-53  
 Тула (4872)33-79-87  
 Тюмень (3452)66-21-18  
 Ульяновск (8422)24-23-59  
 Улан-Удэ (3012)59-97-51  
 Уфа (347)229-48-12  
 Хабаровск (4212)92-98-04  
 Чебоксары (8352)28-53-07  
 Челябинск (351)202-03-61  
 Череповец (8202)49-02-64  
 Чита (3022)38-34-83  
 Якутск (4112)23-90-97  
 Ярославль (4852)69-52-93  
 Казахстан (772)734-952-31

## Electric Pedestrian Pallet Stacker KM.AC 1000/3,0

### Standard equipment:

- Max. travel speed – 6,0 km/h
- Capacity – 1000 kg
- Lifting height – 3,0 m
- AC Drive motor - 1,3 kW:
  - Maintenance free
  - External Encoder
  - Low noise level
- DC Pump motor – 2,0 kW
- Speed control by Pulse Controller AC/180A including regenerative braking with energy reclamation to the battery
- Electronics - modern CANBUS-architecture requiring less wiring, giving better reliability, providing easy and fast diagnostics;
- Horn
- Automatic Braking:
  - EMERGENCY and PARKING electromagnetic brake
  - REGENERATIVE BRAKING when releasing the Accelerator in a neutral position or reversing the travel direction
- Traction battery 2x12-24V/110Ah C5 (wet Pb Acid "Monobloc" batteries)
- High frequency/HF automatic On-board Charger 24V/15A 1 ph.
- EMERGENCY Switch
- Multifunctional Digital Indicator displaying:
  - Battery's state of charge
  - Hour meter
  - Alarms
  - 3 factory preselected Driving Modes (SPD HI / SPD MID / SPD LO)
  - 3 factory preselected Lifting/Lowering Modes (HYD SFT / HYD MID / HYD HRD)
- Battery charge indicator
- Semi-Proportional Hydraulics:
  - Constant LIFTING speed
  - Proportional LOWERING performance
- Rollers and wheels in Polyurethane. Load side - Single rollers / as standard
- Rigidly fixed Drive Wheel/left Driver's side and Castor wheel D150x50/right Driver's side
- CREEP SPEED function – travelling in restricted areas with Tiller-arm in upright position/vertical
- Automatic Travel speed reduction when forks raised above 600mm in accordance with the EN 1726-2 requirements;
- Two-stage mast with central cylinder
- Virtually maintenance-free Drive-wheel unit:
  - Modern AC traction motor in vertical position
  - High efficient gear box /gears in oil bath - no oil change required for life
  - High quality Traction wheel with Polyurethane, 93° Shore A tyre (other tyres available on request)
  - High quality Electromagnetic Brake with environment-friendly friction lining.

### Optional equipment:

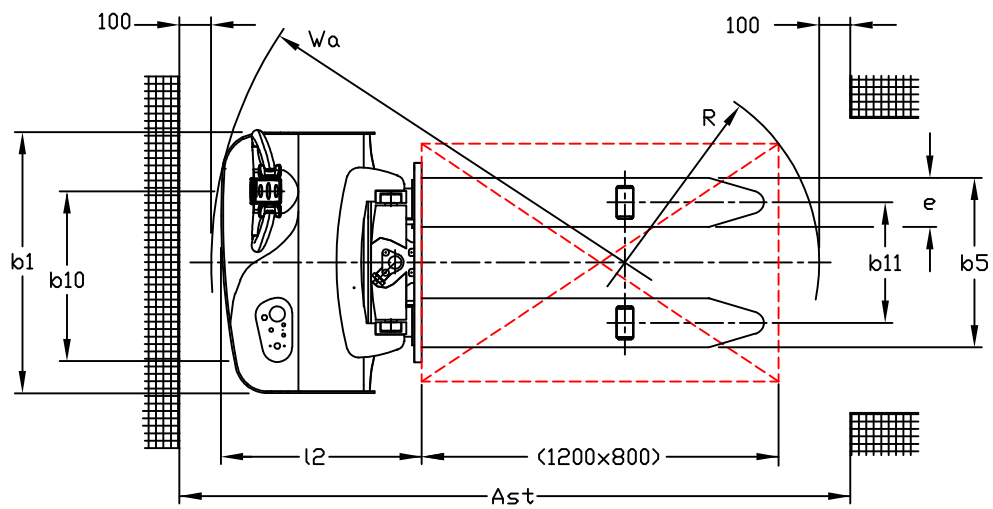
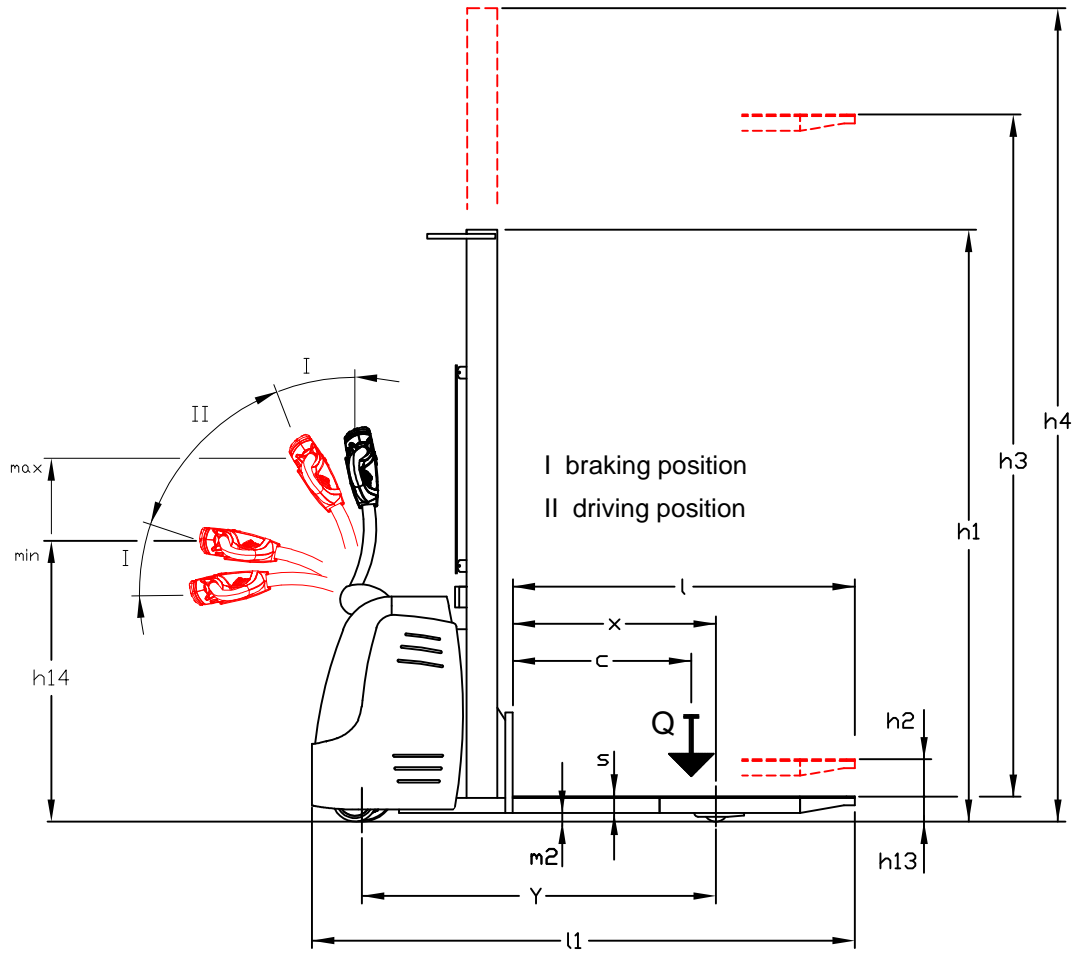
- Tandem rollers
- Authorised access with PIN Code management
- Optional batteries:
  - 24V 2PzS/120 Ah C5
  - 24V 2PzS/160 Ah C5, incl. charger 24V/30A 1 ph.
- Proportional hydraulics for smooth, step-less Lifting/Lowering speed control
- Maintenance-free batteries HAWKER (GEL or NexSys)
- Li-Ion maintenance-free batteries MIDAC

## Electric Pedestrian Pallet Stacker KM.AC 1000/3,0

Type sheet for industrial Trucks according to VDI 2198

|                 |                |  |                                     |                 |                             |
|-----------------|----------------|--|-------------------------------------|-----------------|-----------------------------|
| Characteristics | 1.1            | Manufacturer                                     |                                     |                 | <b>VENI</b>                 |
|                 | 1.2            | Manufacturer's type designation                  |                                     |                 | <b>KM.AC 1000/3,0</b>       |
|                 | 1.3            | Power unit                                       |                                     |                 | Battery                     |
|                 | 1.4            | Operation  |                                     |                 | Pedestrian                  |
|                 | 1.5            | Load capacity                                    | <b>Q</b>                            | (kg)            | <b>1000</b>                 |
|                 | 1.51           | Residual capacity                                | <b>Q<sub>res</sub></b>              | -               | -                           |
|                 |                | $h_3+h_{13} = 2300 \text{ mm}$                   | -                                   | (kg)            | 1000                        |
|                 |                | $h_3+h_{13} = 3000 \text{ mm}$                   | -                                   | (kg)            | 700                         |
|                 | 1.6            | Load centre                                      | <b>c</b>                            | (mm)            | 600                         |
|                 | 1.8            | Axle centre to fork face                         | <b>x</b>                            | (mm)            | 683                         |
| 1.9             | Wheelbase      | <b>y</b>   | (mm)                                | 1180            |                             |
| Weight          | 2.1            | Service weight incl. battery                     |                                     | (kg)            | 620                         |
| Wheels/tyres    | 3.1            | Tyres front/rear (Polyurethane/PU, Vulkollan/VU) |                                     |                 | PU/PU                       |
|                 | 3.2            | Tyre size, front                                 |                                     | (mm)            | D 230x70                    |
|                 | 3.3            | Tyre size, rear                                  |                                     | (mm)            | D 85x100                    |
|                 | 3.4            | Support wheel                                    |                                     | (mm)            | D 150x50                    |
|                 | 3.5            | Wheels, number front / rear (x=driven)           |                                     | (mm)            | 1x+1/2                      |
|                 | 3.6            | Track width, front                               | <b>b<sub>10</sub></b>               | (mm)            | 621                         |
|                 | 3.7            | Track width, rear                                | <b>b<sub>11</sub></b>               | (mm)            | 410                         |
| Dimensions      | 4.2            | Height, mast lowered                             | <b>h<sub>1</sub></b>                | (mm)            | 1990                        |
|                 | 4.3            | Free lift  | <b>h<sub>2</sub></b>                | (mm)            | 120                         |
|                 | 4.4            | Lift   | <b>h<sub>3</sub></b>                | (mm)            | 2910                        |
|                 | 4.5            | Height, mast extended                            | <b>h<sub>4</sub></b>                | (mm)            | 3385                        |
|                 | 4.9            | Height of tiller in drive position min./max.     | <b>h<sub>14</sub></b>               | (mm)            | 1200/1310                   |
|                 | 4.15           | Fork height, lowered                             | <b>h<sub>13</sub></b>               | (mm)            | 90                          |
|                 | 4.151          | Fork height, lifted                              | <b>h<sub>3</sub>+h<sub>13</sub></b> | (mm)            | 3000                        |
|                 | 4.19           | Overall length                                   | <b>l<sub>1</sub></b>                | (mm)            | 1815                        |
|                 | 4.20           | Length to fork face                              | <b>l<sub>2</sub></b>                | (mm)            | 665                         |
|                 | 4.21           | Overall width                                    | <b>b<sub>1</sub></b>                | (mm)            | 852                         |
|                 | 4.22           | Fork dimensions                                  | <b>s/e/l</b>                        | (mm)            | 55/165/1150                 |
|                 | 4.25           | Overall forks width                              | <b>b<sub>5</sub></b>                | (mm)            | 570                         |
|                 | 4.32           | Ground clearance, centre of wheelbase            | <b>m<sub>2</sub></b>                | (mm)            | 30                          |
|                 | 4.34           | Aisle width with pallet 800x1200 mm along forks  | <b>A<sub>st</sub></b>               | (mm)            | 2238                        |
| 4.35            | Turning radius | <b>W<sub>a</sub></b>                             | (mm)                                | 1384            |                             |
| Performance     | 5.1            | Travel speed, with/ without load                 |                                     | (km/h)          | 5.5/6.0                     |
|                 | 5.2            | Lifting speed, with/ without load                |                                     | (m/s)           | 0.132/0.160                 |
|                 | 5.3            | Lowering speed, with/ without load               |                                     | (m/s)           | 0.220/0.190                 |
|                 |                |  |                                     |                 | -                           |
|                 | 5.8            | Maximum gradeability, with/ without load         |                                     | (%)             | 10/15                       |
| 5.10            | Service brake  |  |                                     | Electromagnetic |                             |
| Drive           | 6.1            | Drive motor, rating S2 60 min                    |                                     | (kW)            | 1.3                         |
|                 | 6.2            | Lift motor rating S3 15%                         |                                     | (kW)            | 2.0                         |
|                 | 6.4            | Battery voltage/ rated capacity C5               |                                     | (V/Ah)          | 2x12-24/110                 |
| Others          | 8.1            | Type of drive control                            |                                     |                 | Pulse controller<br>AC/180A |

# KM.AC 1000/3,0



**Алматы** (7273)495-231  
**Ангарск** (3955)60-70-56  
**Архангельск** (8182)63-90-72  
**Астрахань** (8512)99-46-04  
**Барнаул** (3852)73-04-60  
**Белгород** (4722)40-23-64  
**Благовещенск** (4162)22-76-07  
**Брянск** (4832)59-03-52  
**Владивосток** (423)249-28-31  
**Владикавказ** (8672)28-90-48  
**Владимир** (4922)49-43-18  
**Волгоград** (844)278-03-48  
**Вологда** (8172)26-41-59  
**Воронеж** (473)204-51-73  
**Екатеринбург** (343)384-55-89  
**Иваново** (4932)77-34-06  
**Ижевск** (3412)26-03-58  
**Иркутск** (395)279-98-46  
**Казань** (843)206-01-48

**Калининград** (4012)72-03-81  
**Калуга** (4842)92-23-67  
**Кемерово** (3842)65-04-62  
**Киров** (8332)68-02-04  
**Коломна** (4966)23-41-49  
**Кострома** (4942)77-07-48  
**Краснодар** (861)203-40-90  
**Красноярск** (391)204-63-61  
**Курск** (4712)77-13-04  
**Курган** (3522)50-90-47  
**Липецк** (4742)52-20-81  
**Магнитогорск** (3519)55-03-13  
**Москва** (495)268-04-70  
**Мурманск** (8152)59-64-93  
**Набережные Челны** (8552)20-53-41  
**Нижний Новгород** (831)429-08-12  
**Новокузнецк** (3843)20-46-81  
**Ноябрьск** (3496)41-32-12  
**Новосибирск** (383)227-86-73  
**Киргизия** (996)312-96-26-47

**Омск** (3812)21-46-40  
**Орел** (4862)44-53-42  
**Оренбург** (3532)37-68-04  
**Пенза** (8412)22-31-16  
**Петрозаводск** (8142)55-98-37  
**Псков** (8112)59-10-37  
**Пермь** (342)205-81-47  
**Ростов-на-Дону** (863)308-18-15  
**Рязань** (4912)46-61-64  
**Самара** (846)206-03-16  
**Саранск** (8342)22-96-24  
**Санкт-Петербург** (812)309-46-40  
**Саратов** (845)249-38-78  
**Севастополь** (8692)22-31-93  
**Симферополь** (3652)67-13-56  
**Смоленск** (4812)29-41-54  
**Сочи** (862)225-72-31  
**Ставрополь** (8652)20-65-13  
**Сургут** (3462)77-98-35  
**Россия** (495)268-04-70

**Сыктывкар** (8212)25-95-17  
**Тамбов** (4752)50-40-97  
**Тверь** (4822)63-31-35  
**Тольятти** (8482)63-91-07  
**Томск** (3822)98-41-53  
**Тула** (4872)33-79-87  
**Тюмень** (3452)66-21-18  
**Ульяновск** (8422)24-23-59  
**Улан-Удэ** (3012)59-97-51  
**Уфа** (347)229-48-12  
**Хабаровск** (4212)92-98-04  
**Чебоксары** (8352)28-53-07  
**Челябинск** (351)202-03-61  
**Череповец** (8202)49-02-64  
**Чита** (3022)38-34-83  
**Якутск** (4112)23-90-97  
**Ярославль** (4852)69-52-93  
**Казахстан** (772)734-952-31