

Алматы (7273)495-231	Калининград (4012)72-03-81	Омск (3812)21-46-40
Ангарск (3955)60-70-56	Калуга (4842)92-23-67	Орел (4862)44-53-42
Архангельск (8182)63-90-72	Кемерово (3842)65-04-62	Оренбург (3532)37-68-04
Астрахань (8512)99-46-04	Киров (8332)68-02-04	Пенза (8412)22-31-16
Барнаул (3852)73-04-60	Коломна (4966)23-41-49	Петрозаводск (8142)55-98-37
Белгород (4722)40-23-64	Кострома (4942)77-07-48	Псков (8112)59-10-37
Благовещенск (4162)22-76-07	Краснодар (861)203-40-90	Пермь (342)205-81-47
Брянск (4832)59-03-52	Красноярск (391)204-63-61	Ростов-на-Дону (863)308-18-15
Владивосток (423)249-28-31	Курск (4712)77-13-04	Рязань (4912)46-61-64
Владикавказ (8672)28-90-48	Курган (3522)50-90-47	Самара (846)206-03-16
Владимир (4922)49-43-18	Липецк (4742)52-20-81	Саранск (8342)22-96-24
Волгоград (844)278-03-48	Магнитогорск (3519)55-03-13	Санкт-Петербург (812)309-46-40
Вологда (8172)26-41-59	Москва (495)268-04-70	Саратов (845)249-38-78
Воронеж (473)204-51-73	Мурманск (8152)59-64-93	Севастополь (8692)22-31-93
Екатеринбург (343)384-55-89	Набережные Челны (8552)20-53-41	Симферополь (3652)67-13-56
Иваново (4932)77-34-06	Нижегород (831)429-08-12	Смоленск (4812)29-41-54
Ижевск (3412)26-03-58	Новокузнецк (3843)20-46-81	Сочи (862)225-72-31
Иркутск (395)279-98-46	Ноябрьск (3496)41-32-12	Ставрополь (8652)20-65-13
Казань (843)206-01-48	Новосибирск (383)227-86-73	Сургут (3462)77-98-35
	Киргизия (996)312-96-26-47	Россия (495)268-04-70
		Казахстан (772)734-952-31

Electric Sit-On Pallet Stacker KM.RPS 1500/4,5 T

Standard equipment:

- Heavy-duty application
- Max. travel speed - 10,0 km/h
- Capacity - 1500 kg
- Lifting height - 4,5 m
- Support arm Chassis, 4-point
- Comfortable seat, adjustable by length, height and weight of the driver
- Control Pedals - AUTOMOTIVE style layout
- Modern AC technology - for high speed, high torque, quiet and smooth running:
 - AC Drive motor - 2,9 kW
 - AC Steering motor - 0,4 kW
- DC pump motor - 4,4 kW
- Electronics - modern CANBUS-architecture requiring less wiring, giving better reliability, providing easy and fast diagnostics
- Electric powered progressive steering 180°/standard or 360°/option
- Automatic Braking:
 - EMERGENCY and PARKING electromagnetic brake
 - REGENERATIVE Braking when releasing Accelerator in a neutral position or reversing the travel direction
 - REGENERATIVE Braking over-boost when stepping on the Brake pedal
- Traction battery 24V 3PzS/375 Ah C5 / wet Pb Acid batteries
- High frequency/HF automatic on-board charger 24V/45A 1 ph.
- Sideways battery removal, suitable for multi-shift applications (roller bed)
- Proportional hydraulics for smooth, step-less Lifting/Lowering speed control
- EMERGENCY Switch
- Horn
- Multifunctional Display providing:
 - Battery-discharge indication
 - Hour meter
 - Current Traction wheel position and Travel direction
 - Alarms
 - 3 factory preselected Driving Modes (SPD HI / SPD MID / SPD LO)
- Rollers and wheels - VULKOLLAN. Load side - Tandem rollers as standard
- Rigidly fixed Castor wheel (left Driver side) and Drive Wheel (right Driver side)
- Automatic Travel speed reduction when:
 - Forks raised 600 mm and more
 - Cornering more than 10° left/right
- TRIPLEX Full Free Lift mast
- High residual capacity depending on model
- Low maintenance Drive-wheel unit:
 - Modern AC traction motor in vertical position
 - Constant gear box / gears in oil bath - oil change required once per 2500 hours or 2 years
 - High quality Traction wheel with VULKOLLAN, 93° Shore A tyre (other tyres available on request)
 - High quality Electromagnetic Brake with environment-friendly friction lining.

Optional equipment:

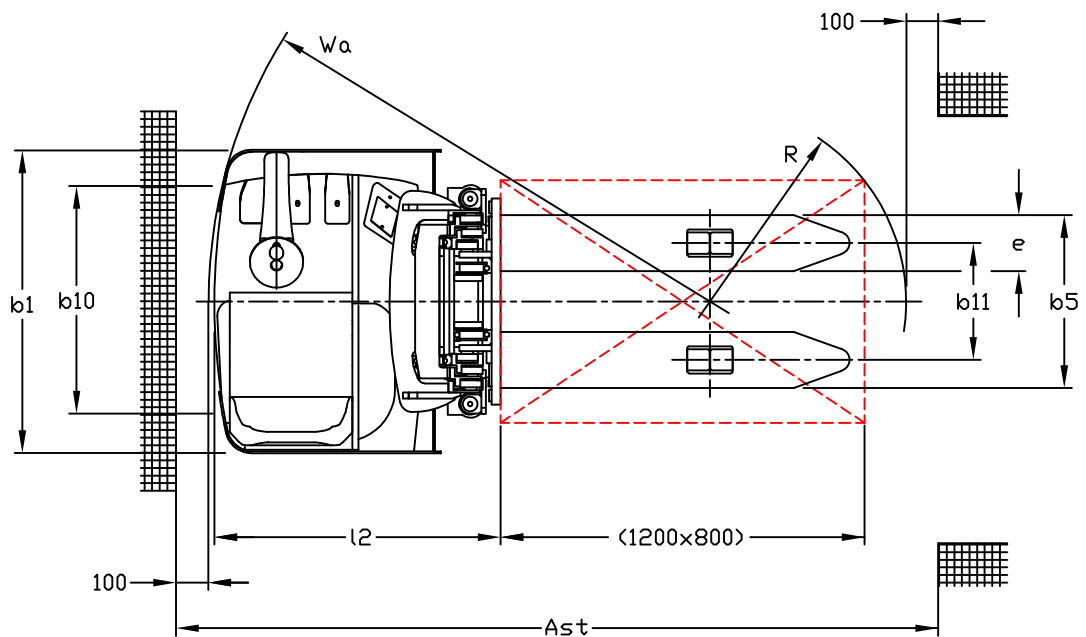
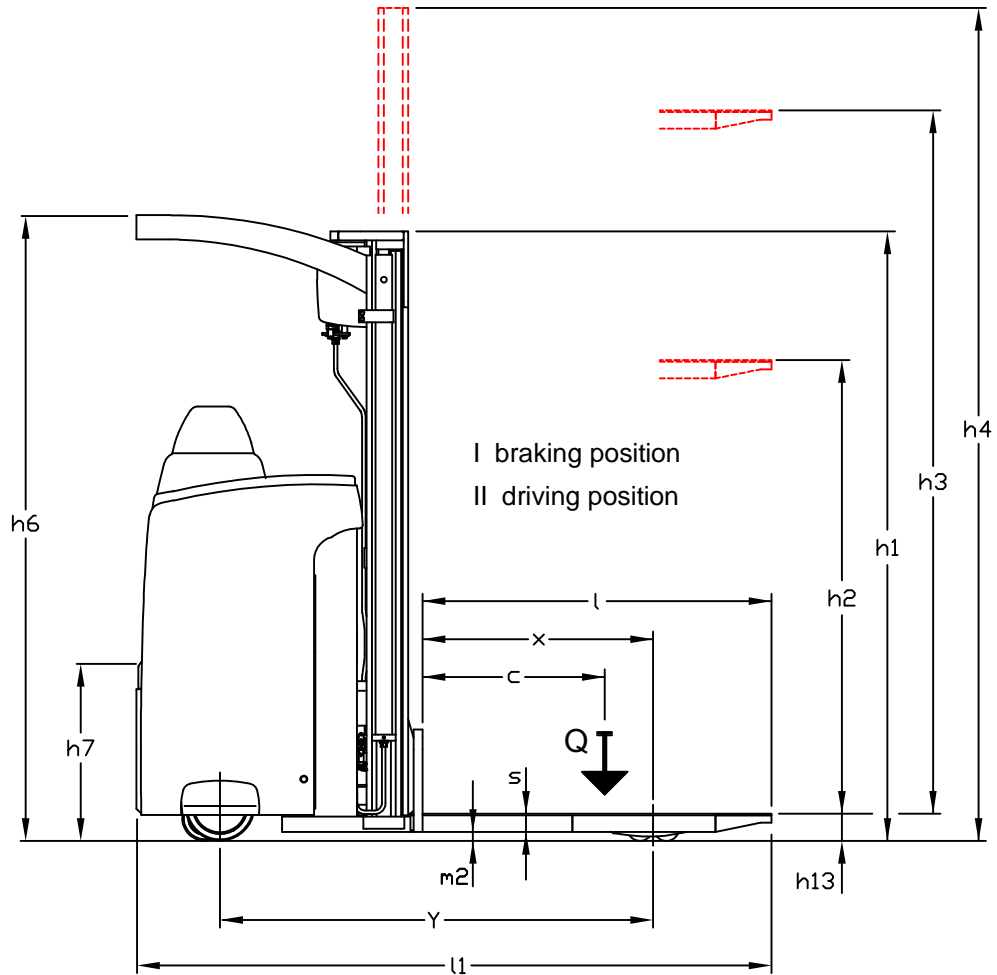
- Batteries with higher capacity:
 - 24V 3PzS/420 Ah C5
 - 24V 4PzS/500 Ah C5, incl. charger 24V/60A 1 ph.
 - 24V 4PzS/600 Ah C5, incl. charger 24V/60A 1 ph.
- Authorised access with PIN Code management
- Trolley for batteries side removal (with roller beds for 2 batteries)
- Camera on the fork carriage
- Freezer application (working in cold storage rooms with temperature up to -25°C)
- Maintenance-free batteries HAWKER (GEL or NexSys)
- Li-Ion maintenance-free batteries MIDAC
- Different Lifting heights

Electric Sit-on Pallet Stacker KM.RPS 1500/4,5 T

Type sheet for industrial Trucks according to VDI 2198

		VENI			
Characteristics	1.1	Manufacturer			
	1.2	Manufacturer's type designation			KM.RPS 1500/4,5 T
	1.3	Power unit			Battery
	1.4	Operation			Sit-on
	1.5	Load capacity	Q	(kg)	1500
	1.51	Residual capacity	Qres	-	-
		$h_3+h_{13} = 2800$ mm	-	(kg)	1500
		$h_3+h_{13} = 4500$ mm	-	(kg)	1150
	1.6	Load centre	c	(mm)	600
1.8	Axle centre to fork face	x	(mm)	800	
1.9	Wheelbase	y	(mm)	1523	
Weight	2.1	Service weight incl. battery		(kg)	1695
Wheels/tyres	3.1	Tyres front/rear (Polyurethane/PU, Vulkollan/VU)			VU/VU
	3.2	Tyre size, front		(mm)	D 254x100
	3.3	Tyre size, rear		(mm)	D 85x70
	3.4	Support wheel		(mm)	D150x50 Twin
	3.5	Wheels, number front / rear (x=driven)		(mm)	1x+1/4
	3.6	Track width, front	b₁₀	(mm)	750
	3.7	Track width, rear	b₁₁	(mm)	407
Dimensions	4.2	Height, mast lowered	h₁	(mm)	2010
	4.3	Free lift	h₂	(mm)	1470
	4.4	Lift	h₃	(mm)	4410
	4.5	Height, mast extended	h₄	(mm)	4950
	4.7	Height of overhead guard	h₆	(mm)	2060
	4.8	Cabin floor height	h₇	(mm)	500
	4.15	Fork height, lowered	h₁₃	(mm)	90
	4.151	Fork height, lifted	h₃+h₁₃	(mm)	4500
	4.19	Overall length	l₁	(mm)	2149
	4.20	Length to fork face	l₂	(mm)	999
	4.21	Overall width	b₁	(mm)	1060
	4.22	Fork dimensions	s/e/l	(mm)	55/185/1150
	4.25	Overall forks width	b₅	(mm)	570
	4.32	Ground clearance, centre of wheelbase	m₂	(mm)	30
	4.34	Aisle width with pallet 800x1200 mm along forks	Ast	(mm)	2565
4.35	Turning radius	Wa	(mm)	1799	
Performance	5.1	Travel speed, with/without load		(km/h)	9.0/10.0
	5.2	Lifting speed, with/without load		(m/s)	0.190/0.280
	5.3	Lowering speed, with/without load		(m/s)	0.380/0.390
	5.7	Gradeability, with/without load		(%)	6/10
	5.8	Maximum gradeability, with/without load		(%)	8/10
	5.10	Service brake			Electromagnetic
Drive	6.1	Drive motor, rating S2 60 min		(kW)	2.9
	6.2	Lift motor, rating S3 15%		(kW)	4.4
	6.4	Battery voltage/rated capacity C5		(V/Ah)	24/375
	6.5	Battery weight		(kg)	295
	8.1	Type of drive control			Pulse controllers AC

KM.RPS 1500/4,5 T



Алматы (7273)495-231
Ангарск (3955)60-70-56
Архангельск (8182)63-90-72
Астрахань (8512)99-46-04
Барнаул (3852)73-04-60
Белгород (4722)40-23-64
Благовещенск (4162)22-76-07
Брянск (4832)59-03-52
Владивосток (423)249-28-31
Владикавказ (8672)28-90-48
Владимир (4922)49-43-18
Волгоград (844)278-03-48
Вологда (8172)26-41-59
Воронеж (473)204-51-73
Екатеринбург (343)384-55-89
Иваново (4932)77-34-06
Ижевск (3412)26-03-58
Иркутск (395)279-98-46
Казань (843)206-01-48

Калининград (4012)72-03-81
Калуга (4842)92-23-67
Кемерово (3842)65-04-62
Киров (8332)68-02-04
Коломна (4966)23-41-49
Кострома (4942)77-07-48
Краснодар (861)203-40-90
Красноярск (391)204-63-61
Курск (4712)77-13-04
Курган (3522)50-90-47
Липецк (4742)52-20-81
Магнитогорск (3519)55-03-13
Москва (495)268-04-70
Мурманск (8152)59-64-93
Набережные Челны (8552)20-53-41
Нижегород (831)429-08-12
Новокузнецк (3843)20-46-81
Ноябрьск (3496)41-32-12
Новосибирск (383)227-86-73
Киргизия (996)312-96-26-47

Омск (3812)21-46-40
Орел (4862)44-53-42
Оренбург (3532)37-68-04
Пенза (8412)22-31-16
Петрозаводск (8142)55-98-37
Псков (8112)59-10-37
Пермь (342)205-81-47
Ростов-на-Дону (863)308-18-15
Рязань (4912)46-61-64
Самара (846)206-03-16
Саранск (8342)22-96-24
Санкт-Петербург (812)309-46-40
Саратов (845)249-38-78
Севастополь (8692)22-31-93
Симферополь (3652)67-13-56
Смоленск (4812)29-41-54
Сочи (862)225-72-31
Ставрополь (8652)20-65-13
Сургут (3462)77-98-35
Россия (495)268-04-70

Сыктывкар (8212)25-95-17
Тамбов (4752)50-40-97
Тверь (4822)63-31-35
Тольятти (8482)63-91-07
Томск (3822)98-41-53
Тула (4872)33-79-87
Тюмень (3452)66-21-18
Ульяновск (8422)24-23-59
Улан-Удэ (3012)59-97-51
Уфа (347)229-48-12
Хабаровск (4212)92-98-04
Чебоксары (8352)28-53-07
Челябинск (351)202-03-61
Череповец (8202)49-02-64
Чита (3022)38-34-83
Якутск (4112)23-90-97
Ярославль (4852)69-52-93
Казахстан (772)734-952-31