

<b>Алматы</b> (7273)495-231	<b>Калининград</b> (4012)72-03-81	<b>Омск</b> (3812)21-46-40
<b>Ангарск</b> (3955)60-70-56	<b>Калуга</b> (4842)92-23-67	<b>Орел</b> (4862)44-53-42
<b>Архангельск</b> (8182)63-90-72	<b>Кемерово</b> (3842)65-04-62	<b>Оренбург</b> (3532)37-68-04
<b>Астрахань</b> (8512)99-46-04	<b>Киров</b> (8332)68-02-04	<b>Пенза</b> (8412)22-31-16
<b>Барнаул</b> (3852)73-04-60	<b>Колмна</b> (4966)23-41-49	<b>Петрозаводск</b> (8142)55-98-37
<b>Белгород</b> (4722)40-23-64	<b>Кострома</b> (4942)77-07-48	<b>Псков</b> (8112)59-10-37
<b>Благовещенск</b> (4162)22-76-07	<b>Краснодар</b> (861)203-40-90	<b>Пермь</b> (342)205-81-47
<b>Брянск</b> (4832)59-03-52	<b>Красноярск</b> (391)204-63-61	<b>Ростов-на-Дону</b> (863)308-18-15
<b>Владивосток</b> (423)249-28-31	<b>Курск</b> (4712)77-13-04	<b>Рязань</b> (4912)46-61-64
<b>Владикавказ</b> (8672)28-90-48	<b>Курган</b> (3522)50-90-47	<b>Самара</b> (846)206-03-16
<b>Владимир</b> (4922)49-43-18	<b>Липецк</b> (4742)52-20-81	<b>Саранск</b> (8342)22-96-24
<b>Волгоград</b> (844)278-03-48	<b>Магнитогорск</b> (3519)55-03-13	<b>Санкт-Петербург</b> (812)309-46-40
<b>Вологда</b> (8172)26-41-59	<b>Москва</b> (495)268-04-70	<b>Саратов</b> (845)249-38-78
<b>Воронеж</b> (473)204-51-73	<b>Мурманск</b> (8152)59-64-93	<b>Севастополь</b> (8692)22-31-93
<b>Екатеринбург</b> (343)384-55-89	<b>Набережные Челны</b> (8552)20-53-41	<b>Симферополь</b> (3652)67-13-56
<b>Иваново</b> (4932)77-34-06	<b>Нижегород</b> (831)429-08-12	<b>Смоленск</b> (4812)29-41-54
<b>Ижевск</b> (3412)26-03-58	<b>Новокузнецк</b> (3843)20-46-81	<b>Сочи</b> (862)225-72-31
<b>Иркутск</b> (395)279-98-46	<b>Ноябрьск</b> (3496)41-32-12	<b>Ставрополь</b> (8652)20-65-13
<b>Казань</b> (843)206-01-48	<b>Новосибирск</b> (383)227-86-73	<b>Сургут</b> (3462)77-98-35
	<b>Киргизия</b> (996)312-96-26-47	<b>Россия</b> (495)268-04-70
		<b>Казахстан</b> (772)734-952-31

## Electric Sit-On Pallet Stacker KM.RPS 1500/6,5 T

### Standard equipment:

- Heavy-duty application
- Max. travel speed - 10,0 km/h
- Capacity – 1500 kg
- Lifting height – 6,5 m
- Support arm Chassis, 4-point
- Comfortable seat, adjustable by length, height and weight of the driver
- Control Pedals – AUTOMOTIVE style layout
- Modern AC technology - for high speed, high torque, quiet and smooth running:
  - AC Drive motor - 2,9 kW
  - AC Steering motor - 0,4 kW
- DC pump motor – 4,4 kW
- Electronics - modern CANBUS-architecture requiring less wiring, giving better reliability, providing easy and fast diagnostics
- Electric powered progressive steering 180°/standard or 360°/option
- Automatic Braking:
  - EMERGENCY and PARKING electromagnetic brake
  - REGENERATIVE Braking when releasing Accelerator in a neutral position or reversing the travel direction
  - REGENERATIVE Braking over-boost when stepping on the Brake pedal
- Traction battery 24V 3PzS/375 Ah C5 / wet Pb Acid batteries
- High frequency/HF automatic on-board charger 24V/45A 1 ph.
- Sideways battery removal, suitable for multi-shift applications (roller bed)
- Proportional hydraulics for smooth, step-less Lifting/Lowering speed control
- EMERGENCY Switch
- Horn
- Multifunctional Display providing:
  - Battery-discharge indication
  - Hour meter
  - Current Traction wheel position and Travel direction
  - Alarms
  - 3 factory preselected Driving Modes (SPD HI / SPD MID / SPD LO)
- Rollers and wheels - VULKOLLAN. Load side - Tandem rollers as standard
- Rigidly fixed Castor wheel (left Driver side) and Drive Wheel (right Driver side)
- Automatic Travel speed reduction when:
  - Forks raised 600 mm and more
  - Cornering more than 10° left/right
- TRIPLEX Full Free Lift mast
- High residual capacity depending on model
- Low maintenance Drive-wheel unit:
  - Modern AC traction motor in vertical position
  - 1st gear box / gears in oil bath - oil change required once per 2500 hours or 2 years
  - High quality Traction wheel with VULKOLLAN, 93° Shore A tyre (other tyres available on request)
  - High quality Electromagnetic Brake with environment-friendly friction lining.

### Optional equipment:

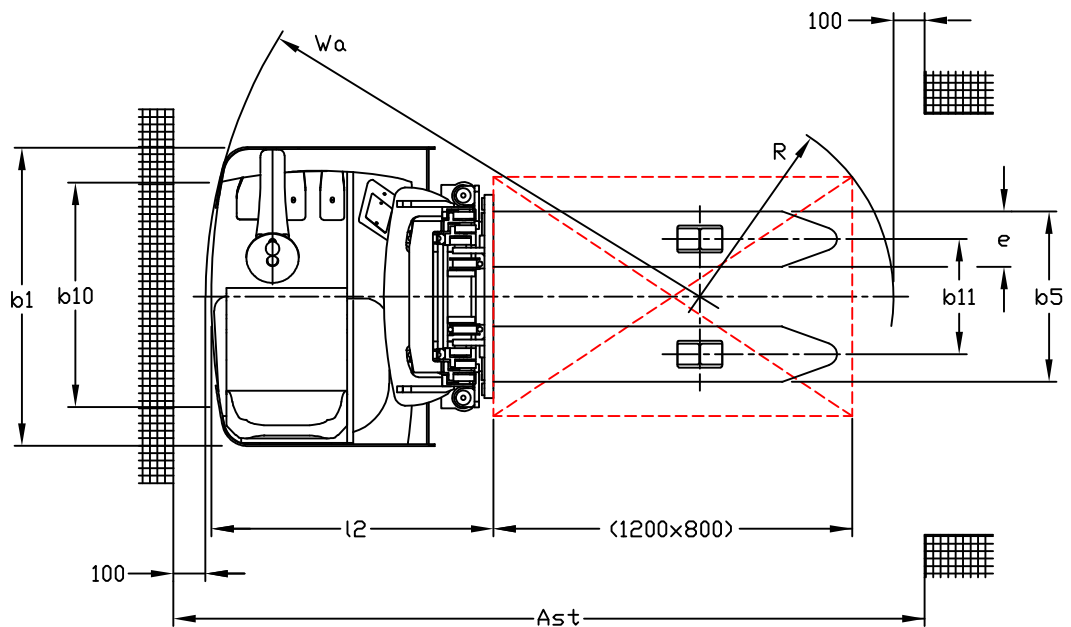
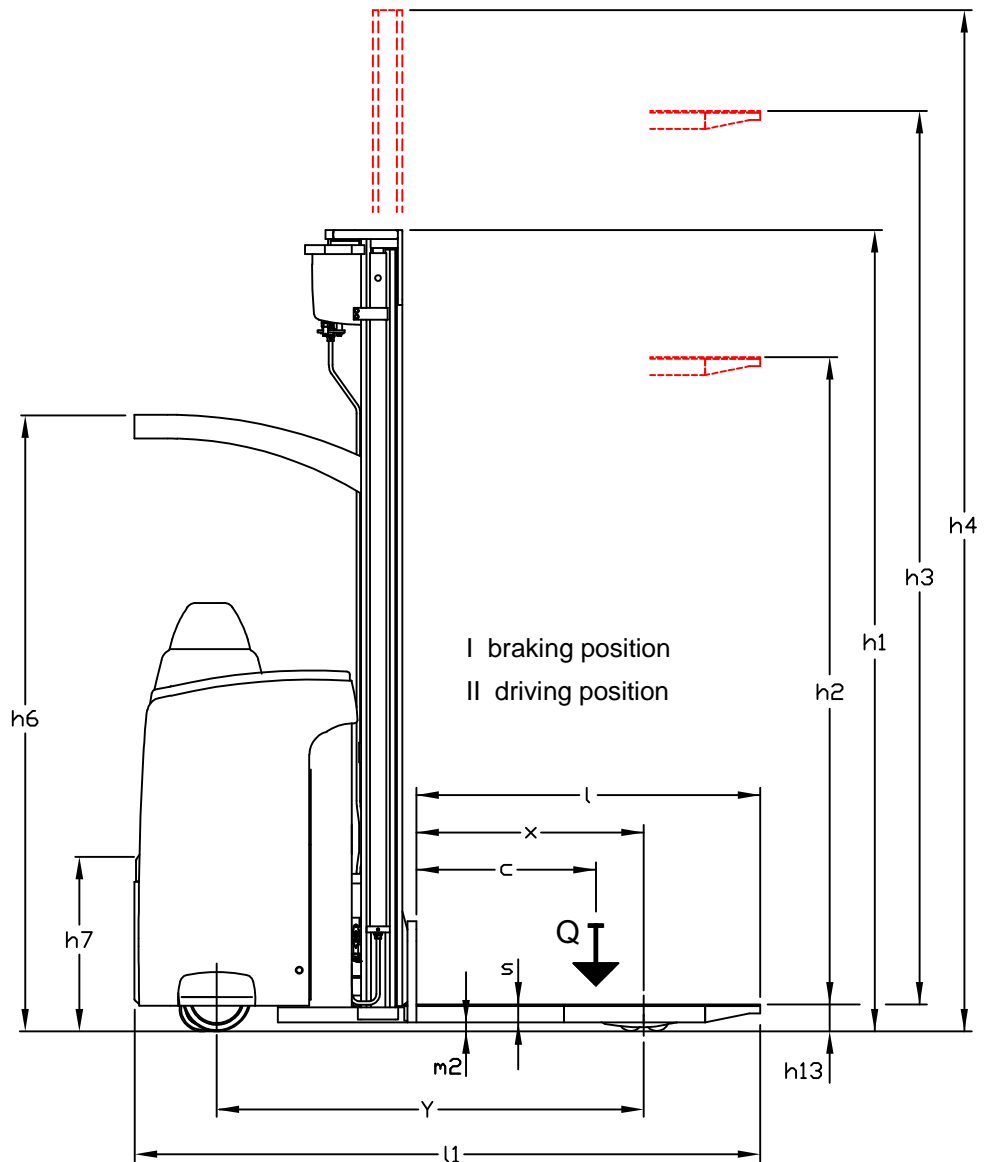
- Batteries with higher capacity:
  - 24V 3PzS/420 Ah C5
  - 24V 4PzS/500 Ah C5, incl. charger 24V/60A 1 ph.
  - 24V 4PzS/600 Ah C5, incl. charger 24V/60A 1 ph.
- Authorised access with PIN Code management
- Trolley for batteries side removal (with roller beds for 2 batteries)
- Camera on the fork carriage
- Freezer application (working in cold storage rooms with temperature up to -25°C)
- Maintenance-free batteries HAWKER (GEL or NexSys)
- Li-Ion maintenance-free batteries MIDAC
- Different Lifting heights

## Electric Sit-on Pallet Stacker KM.RPS 1500/6,5 T

Type sheet for industrial Trucks according to VDI 2198

<b>VENI</b>					
Characteristics	1.1	Manufacturer			<b>KM.RPS 1500/6,5 T</b>
	1.2	Manufacturer's type designation			Battery
	1.3	Power unit			Sit-on
	1.4	Operation			
	1.5	Load capacity	<b>Q</b>	(kg)	<b>1500</b>
	1.51	Residual capacity	<b>Qres</b>	-	-
		h <sub>3</sub> +h <sub>13</sub> = 2800 mm	-	(kg)	1500
		h <sub>3</sub> +h <sub>13</sub> = 4400 mm	-	(kg)	1200
		h <sub>3</sub> +h <sub>13</sub> = 6510 mm	-	(kg)	700
	1.6	Load centre	c	(mm)	600
1.8	Axle centre to fork face	x	(mm)	800	
1.9	Wheelbase	y	(mm)	1523	
Weight	2.1	Service weight		(kg)	1830
Wheels/tyres	3.1	Tyres front/rear (Polyurethane/PU, Vulkollan/VU)			VU/VU
	3.2	Tyre size, front		(mm)	D 254x100
	3.3	Tyre size, rear		(mm)	D 85x70
	3.4	Support wheel		(mm)	D150x50 Twin
	3.5	Wheels, number front / rear (x=driven)		(mm)	1x+1/4
	3.6	Track width, front	b <sub>10</sub>	(mm)	750
	3.7	Track width, rear	b <sub>11</sub>	(mm)	407
Dimensions	4.2	Height, mast lowered	h <sub>1</sub>	(mm)	2680
	4.3	Free lift	h <sub>2</sub>	(mm)	2140
	4.4	Lift	h <sub>3</sub>	(mm)	6420
	4.5	Height, mast extended	h <sub>4</sub>	(mm)	6960
	4.7	Height of overhead guard	h <sub>6</sub>	(mm)	2060
	4.8	Cabin floor height	h <sub>7</sub>	(mm)	500
	4.15	Fork height, lowered	h <sub>13</sub>	(mm)	90
	4.151	Fork height, lifted	h <sub>3</sub> +h <sub>13</sub>	(mm)	6510
	4.19	Overall length	l <sub>1</sub>	(mm)	2149
	4.20	Length to fork face	l <sub>2</sub>	(mm)	999
	4.21	Overall width	b <sub>1</sub>	(mm)	1060
	4.22	Fork dimensions	s/e/l	(mm)	55/185/1150
	4.25	Overall forks width	b <sub>5</sub>	(mm)	570
	4.32	Ground clearance, centre of wheelbase	m <sub>2</sub>	(mm)	30
	4.34	Aisle width with pallet 800x1200 mm along forks	Ast	(mm)	2565
4.35	Turning radius	Wa	(mm)	1799	
Performance	5.1	Travel speed, with/without load		(km/h)	9.0/10.0
	5.2	Lifting speed, with/without load		(m/s)	0.190/0.280
	5.3	Lowering speed, with/without load		(m/s)	0.380/0.390
	5.7	Gradeability, with/without load		(%)	6/10
	5.8	Maximum gradeability, with/without load		(%)	8/10
	5.10	Service brake			Electromagnetic
Drive	6.1	Drive motor, rating S2 60 min		(kW)	2.9
	6.2	Lift motor, rating S3 15%		(kW)	4.4
	6.4	Battery voltage/rated capacity C5		(V/Ah)	24/375
	6.5	Battery weight		(kg)	295
Others	8.1	Type of drive control			Pulse controllers AC

# KM.RPS 1500/6,5 T



**Алматы** (7273)495-231  
**Ангарск** (3955)60-70-56  
**Архангельск** (8182)63-90-72  
**Астрахань** (8512)99-46-04  
**Барнаул** (3852)73-04-60  
**Белгород** (4722)40-23-64  
**Благовещенск** (4162)22-76-07  
**Брянск** (4832)59-03-52  
**Владивосток** (423)249-28-31  
**Владикавказ** (8672)28-90-48  
**Владимир** (4922)49-43-18  
**Волгоград** (844)278-03-48  
**Вологда** (8172)26-41-59  
**Воронеж** (473)204-51-73  
**Екатеринбург** (343)384-55-89  
**Иваново** (4932)77-34-06  
**Ижевск** (3412)26-03-58  
**Иркутск** (395)279-98-46  
**Казань** (843)206-01-48

**Калининград** (4012)72-03-81  
**Калуга** (4842)92-23-67  
**Кемерово** (3842)65-04-62  
**Киров** (8332)68-02-04  
**Коломна** (4966)23-41-49  
**Кострома** (4942)77-07-48  
**Краснодар** (861)203-40-90  
**Красноярск** (391)204-63-61  
**Курск** (4712)77-13-04  
**Курган** (3522)50-90-47  
**Липецк** (4742)52-20-81  
**Магнитогорск** (3519)55-03-13  
**Москва** (495)268-04-70  
**Мурманск** (8152)59-64-93  
**Набережные Челны** (8552)20-53-41  
**Нижегород** (831)429-08-12  
**Новокузнецк** (3843)20-46-81  
**Ноябрьск** (3496)41-32-12  
**Новосибирск** (383)227-86-73  
**Киргизия** (996)312-96-26-47

**Омск** (3812)21-46-40  
**Орел** (4862)44-53-42  
**Оренбург** (3532)37-68-04  
**Пенза** (8412)22-31-16  
**Петрозаводск** (8142)55-98-37  
**Псков** (8112)59-10-37  
**Пермь** (342)205-81-47  
**Ростов-на-Дону** (863)308-18-15  
**Рязань** (4912)46-61-64  
**Самара** (846)206-03-16  
**Саранск** (8342)22-96-24  
**Санкт-Петербург** (812)309-46-40  
**Саратов** (845)249-38-78  
**Севастополь** (8692)22-31-93  
**Симферополь** (3652)67-13-56  
**Смоленск** (4812)29-41-54  
**Сочи** (862)225-72-31  
**Ставрополь** (8652)20-65-13  
**Сургут** (3462)77-98-35  
**Россия** (495)268-04-70

**Сыктывкар** (8212)25-95-17  
**Тамбов** (4752)50-40-97  
**Тверь** (4822)63-31-35  
**Тольятти** (8482)63-91-07  
**Томск** (3822)98-41-53  
**Тула** (4872)33-79-87  
**Тюмень** (3452)66-21-18  
**Ульяновск** (8422)24-23-59  
**Улан-Удэ** (3012)59-97-51  
**Уфа** (347)229-48-12  
**Хабаровск** (4212)92-98-04  
**Чебоксары** (8352)28-53-07  
**Челябинск** (351)202-03-61  
**Череповец** (8202)49-02-64  
**Чита** (3022)38-34-83  
**Якутск** (4112)23-90-97  
**Ярославль** (4852)69-52-93  
**Казахстан** (772)734-952-31