

<b>Алматы</b> (7273)495-231	<b>Калининград</b> (4012)72-03-81	<b>Омск</b> (3812)21-46-40
<b>Ангарск</b> (3955)60-70-56	<b>Калуга</b> (4842)92-23-67	<b>Орел</b> (4862)44-53-42
<b>Архангельск</b> (8182)63-90-72	<b>Кемерово</b> (3842)65-04-62	<b>Оренбург</b> (3532)37-68-04
<b>Астрахань</b> (8512)99-46-04	<b>Киров</b> (8332)68-02-04	<b>Пенза</b> (8412)22-31-16
<b>Барнаул</b> (3852)73-04-60	<b>Коломна</b> (4966)23-41-49	<b>Петрозаводск</b> (8142)55-98-37
<b>Белгород</b> (4722)40-23-64	<b>Кострома</b> (4942)77-07-48	<b>Псков</b> (8112)59-10-37
<b>Благовещенск</b> (4162)22-76-07	<b>Краснодар</b> (861)203-40-90	<b>Пермь</b> (342)205-81-47
<b>Брянск</b> (4832)59-03-52	<b>Красноярск</b> (391)204-63-61	<b>Ростов-на-Дону</b> (863)308-18-15
<b>Владивосток</b> (423)249-28-31	<b>Курск</b> (4712)77-13-04	<b>Рязань</b> (4912)46-61-64
<b>Владикавказ</b> (8672)28-90-48	<b>Курган</b> (3522)50-90-47	<b>Самара</b> (846)206-03-16
<b>Владимир</b> (4922)49-43-18	<b>Липецк</b> (4742)52-20-81	<b>Саранск</b> (8342)22-96-24
<b>Волгоград</b> (844)278-03-48	<b>Магнитогорск</b> (3519)55-03-13	<b>Санкт-Петербург</b> (812)309-46-40
<b>Вологда</b> (8172)26-41-59	<b>Москва</b> (495)268-04-70	<b>Саратов</b> (845)249-38-78
<b>Воронеж</b> (473)204-51-73	<b>Мурманск</b> (8152)59-64-93	<b>Севастополь</b> (8692)22-31-93
<b>Екатеринбург</b> (343)384-55-89	<b>Набережные Челны</b> (8552)20-53-41	<b>Симферополь</b> (3652)67-13-56
<b>Иваново</b> (4932)77-34-06	<b>Нижний Новгород</b> (831)429-08-12	<b>Смоленск</b> (4812)29-41-54
<b>Ижевск</b> (3412)26-03-58	<b>Новокузнецк</b> (3843)20-46-81	<b>Сочи</b> (862)225-72-31
<b>Иркутск</b> (395)279-98-46	<b>Ноябрьск</b> (3496)41-32-12	<b>Ставрополь</b> (8652)20-65-13
<b>Казань</b> (843)206-01-48	<b>Новосибирск</b> (383)227-86-73	<b>Сургут</b> (3462)77-98-35
	<b>Киргизия</b> (996)312-96-26-47	<b>Россия</b> (495)268-04-70
		<b>Казахстан</b> (772)734-952-31

## Electric Pedestrian Pallet Stacker KMS.AC 1250/1,6

### Standard equipment:

- Heavy-duty application
- Max. travel speed - 6,0 km/h
- Capacity - 1250 kg
- Lifting height - 1,6 m
- AC drive motor - 1,3 kW:
  - Maintenance free
  - External Encoder
  - Low noise level
- DC pump motor - 2,2 kW
- Speed control by pulse controller COMBI AC/250A including regenerative braking with energy reclamation to the battery
- Electronics - modern CANBUS-architecture requiring less wiring, giving better reliability, providing easy and fast diagnostics
- Horn
- Automatic Braking:
  - EMERGENCY and PARKING electromagnetic brake
  - REGENERATIVE Braking when releasing Accelerator in a neutral position or reversing the travel direction
- Traction battery 24V 2PzS/160Ah C5 (wet Pb Acid batteries)
- High frequency/HF automatic On-board Charger 24V/30A 1 ph.
- EMERGENCY Switch
- Multifunctional Digital Indicator displaying:
  - Battery's state of charge
  - Hour meter
  - Alarms
  - 3 factory preselected Driving Modes (SPD HI / SPD MID / SPD LO)
  - 3 factory preselected Lifting/Lowering Modes (HYD SFT / HYD MID / HYD HRD)
- Proportional hydraulics for smooth, step less Lifting/Lowering speed control
- Rollers and wheels - Polyurethane. Load side - Tandem rollers as standard
- Two castor wheels (left and right Driver side) and Spring loaded Drive Wheel in the middle
- CREEP SPEED function - travelling in restricted areas with Tiller-arm in upright position
- Automatic Travel speed reduction when forks raised 600 mm and more
- Single stage mast with central cylinder
- Virtually maintenance-free Drive-wheel unit:
  - Modern AC traction motor in vertical position
  - High efficient gear box /gears in oil bath - no oil change required for life
  - High quality Traction wheel with Polyurethane, 93° Shore A tyre (other tyres available on request)
  - High quality Electromagnetic Brake with environment-friendly friction lining

### Optional equipment:

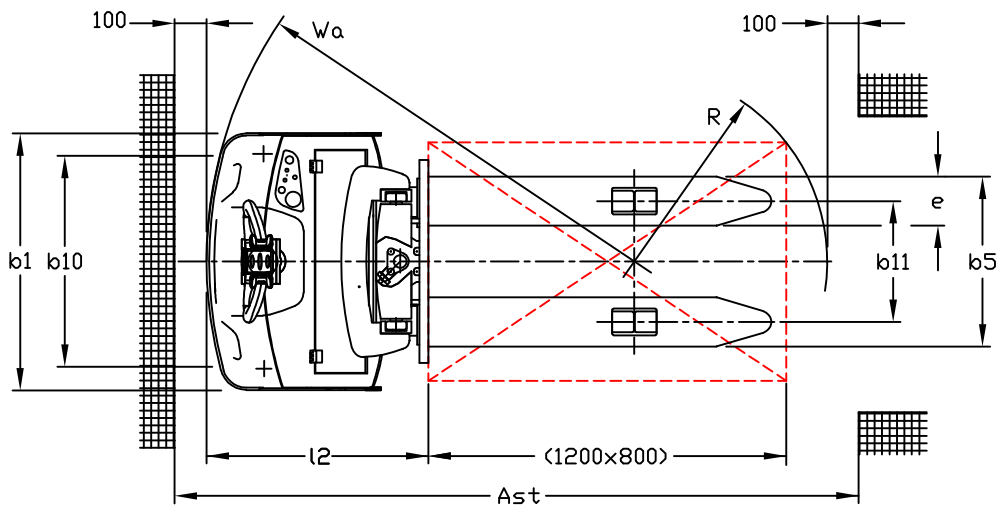
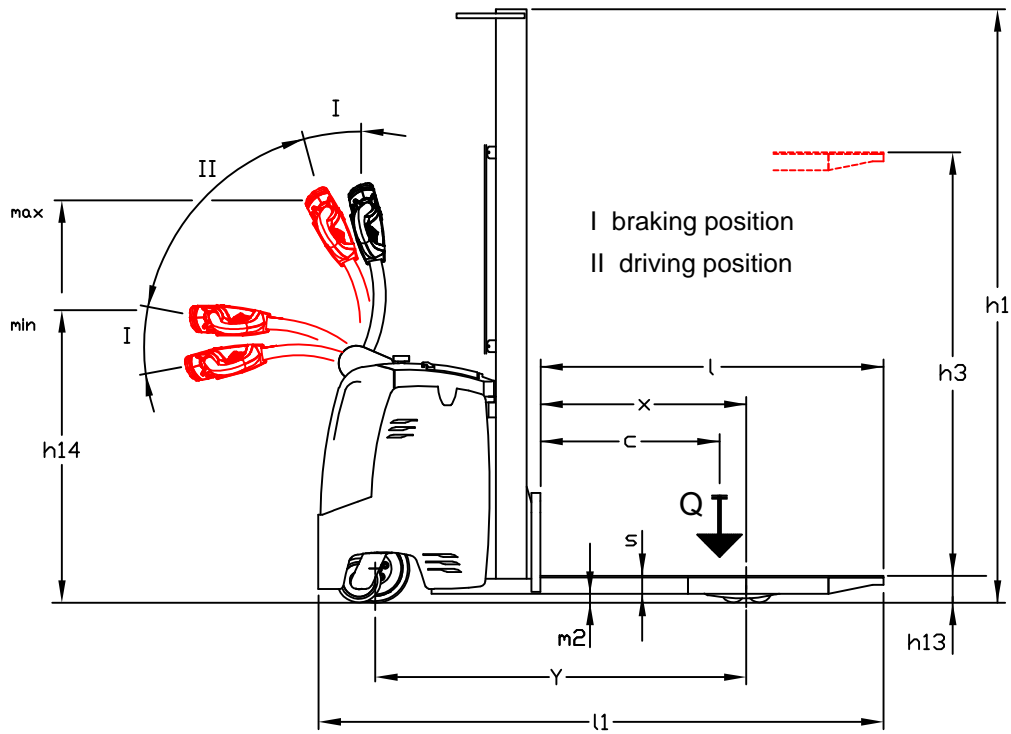
- Batteries with higher capacity:
  - 24V 2PzS/180 Ah C5
  - 24V 2PzS/250 Ah C5
- Automatically foldable stand-on Platform, mid driver-side
- Manually foldable Side-protection arms
- with PIN Code management
- Traction motor AC 1,5 kW
- Package EPS/Electric Powered Steering (including - EPS Transmission 1,3 kW + Mechanical Interface + Steering Controller + Sensors + Wiring + Integration)  
**Note:** EPS is a system to provide FATIGUE-FREE (thus driver-friendly) and safe steering by means of electrical front-axle steering and Curve control
- Package HS for travel speed 10,0 km/h (including Automatically foldable stand-on Platform, Manually foldable Side-protection arms, Package EPS with Transmission 2,9 kW)
- Initial lift
- Sideways battery removal in a multi-shift applications (roller bed)
- Trolley for batteries side removal (with roller beds for 2 batteries)
- Straddle legs incl. Fork carriage ISO/FEM Class 2B and forks 40/100/1200mm
- Freezer application (working in cold storage rooms with temperature up to -25°C)
- Maintenance-free batteries HAWKER (GEL or NexSys)
- Li-Ion maintenance-free batteries MIDAC

## Electric Pedestrian Pallet Stacker KMS.AC 1250/1,6

Type sheet for industrial Trucks according to VDI 2198

Characteristics	1.1	Manufacturer			<b>VENI</b>
	1.2	Manufacturer's type designation			<b>KMS.AC 1250/1,6</b>
	1.3	Power unit			Battery
	1.4	Operation			Pedestrian
	1.5	Load capacity	<b>Q</b>	(kg)	<b>1250</b>
	1.6	Load centre	c	(mm)	600
	1.8	Axle centre to fork face	x	(mm)	690
	1.9	Wheelbase	y	(mm)	1242
	Weight	2.1	Service weight incl. battery		(kg)
Wheels/tyres	3.1	Tyres front/rear (Polyurethane/PU, Vulkollan/VU)			PU/PU
	3.2	Tyre size, front		(mm)	D 230x70
	3.3	Tyre size, rear		(mm)	D 85x70
	3.4	Support wheels		(mm)	D 150x50
	3.5	Wheels, number front / rear (x=driven)		(mm)	1x+2/4
	3.6	Track width, front	b <sub>10</sub>	(mm)	720
	3.7	Track width, rear	b <sub>11</sub>	(mm)	410
Dimensions	4.2	Height, mast lowered	h <sub>1</sub>	(mm)	1990
	4.3	Free lift	h <sub>2</sub>	(mm)	-
	4.4	Lift	h <sub>3</sub>	(mm)	1510
	4.5	Height, mast extended	h <sub>4</sub>	(mm)	-
	4.9	Height of tiller in drive position min./max.	h <sub>14</sub>	(mm)	1200/1310
	4.15	Fork height, lowered	h <sub>13</sub>	(mm)	90
	4.151	Fork height, lifted	h <sub>3</sub> +h <sub>13</sub>	(mm)	1600
	4.19	Overall length	l <sub>1</sub>	(mm)	1892
	4.20	Length to fork face	l <sub>2</sub>	(mm)	742
	4.21	Overall width	b <sub>1</sub>	(mm)	866
	4.22	Fork dimensions	s/e/l	(mm)	55/165/1150
	4.25	Overall forks width	b <sub>5</sub>	(mm)	570
	4.32	Ground clearance, centre of wheelbase	m <sub>2</sub>	(mm)	30
	4.34	Aisle width with pallet 800x1200 mm along forks	Ast	(mm)	2280
4.35	Turning radius	Wa	(mm)	1432	
Performance	5.1	Travel speed, with/ without load		(km/h)	5.5/6.0
	5.2	Lifting speed, with/ without load		(m/s)	0.142/0.240
	5.3	Lowering speed, with/ without load		(m/s)	0.260/0.290
	5.8	Maximum gradeability, with/ without load		(%)	8/15
	5.10	Service brake			Electromagnetic
Drive	6.1	Drive motor, rating S2 60 min		(kW)	1.3
	6.2	Lift motor rating S3 15%		(kW)	2.2
	6.4	Battery voltage/ rated capacity C5		(V/Ah)	24/160
Other	8.1	Type of drive control			Pulse controller COMBI AC/250A

# KMS.AC 1250/1,6



**Алматы** (7273)495-231  
**Ангарск** (3955)60-70-56  
**Архангельск** (8182)63-90-72  
**Астрахань** (8512)99-46-04  
**Барнаул** (3852)73-04-60  
**Белгород** (4722)40-23-64  
**Благовещенск** (4162)22-76-07  
**Брянск** (4832)59-03-52  
**Владивосток** (423)249-28-31  
**Владикавказ** (8672)28-90-48  
**Владимир** (4922)49-43-18  
**Волгоград** (844)278-03-48  
**Вологда** (8172)26-41-59  
**Воронеж** (473)204-51-73  
**Екатеринбург** (343)384-55-89  
**Иваново** (4932)77-34-06  
**Ижевск** (3412)26-03-58  
**Иркутск** (395)279-98-46  
**Казань** (843)206-01-48

**Калининград** (4012)72-03-81  
**Калуга** (4842)92-23-67  
**Кемерово** (3842)65-04-62  
**Киров** (8332)68-02-04  
**Коломна** (4966)23-41-49  
**Кострома** (4942)77-07-48  
**Краснодар** (861)203-40-90  
**Красноярск** (391)204-63-61  
**Курск** (4712)77-13-04  
**Курган** (3522)50-90-47  
**Липецк** (4742)52-20-81  
**Магнитогорск** (3519)55-03-13  
**Москва** (495)268-04-70  
**Мурманск** (8152)59-64-93  
**Набережные Челны** (8552)20-53-41  
**Нижний Новгород** (831)429-08-12  
**Новокузнецк** (3843)20-46-81  
**Ноябрьск** (3496)41-32-12  
**Новосибирск** (383)227-86-73  
**Киргизия** (996)312-96-26-47

**Омск** (3812)21-46-40  
**Орел** (4862)44-53-42  
**Оренбург** (3532)37-68-04  
**Пенза** (8412)22-31-16  
**Петрозаводск** (8142)55-98-37  
**Псков** (8112)59-10-37  
**Пермь** (342)205-81-47  
**Ростов-на-Дону** (863)308-18-15  
**Рязань** (4912)46-61-64  
**Самара** (846)206-03-16  
**Саранск** (8342)22-96-24  
**Санкт-Петербург** (812)309-46-40  
**Саратов** (845)249-38-78  
**Севастополь** (8692)22-31-93  
**Симферополь** (3652)67-13-56  
**Смоленск** (4812)29-41-54  
**Сочи** (862)225-72-31  
**Ставрополь** (8652)20-65-13  
**Сургут** (3462)77-98-35  
**Россия** (495)268-04-70

**Сыктывкар** (8212)25-95-17  
**Тамбов** (4752)50-40-97  
**Тверь** (4822)63-31-35  
**Тольятти** (8482)63-91-07  
**Томск** (3822)98-41-53  
**Тула** (4872)33-79-87  
**Тюмень** (3452)66-21-18  
**Ульяновск** (8422)24-23-59  
**Улан-Удэ** (3012)59-97-51  
**Уфа** (347)229-48-12  
**Хабаровск** (4212)92-98-04  
**Чебоксары** (8352)28-53-07  
**Челябинск** (351)202-03-61  
**Череповец** (8202)49-02-64  
**Чита** (3022)38-34-83  
**Якутск** (4112)23-90-97  
**Ярославль** (4852)69-52-93  
**Казахстан** (772)734-952-31