

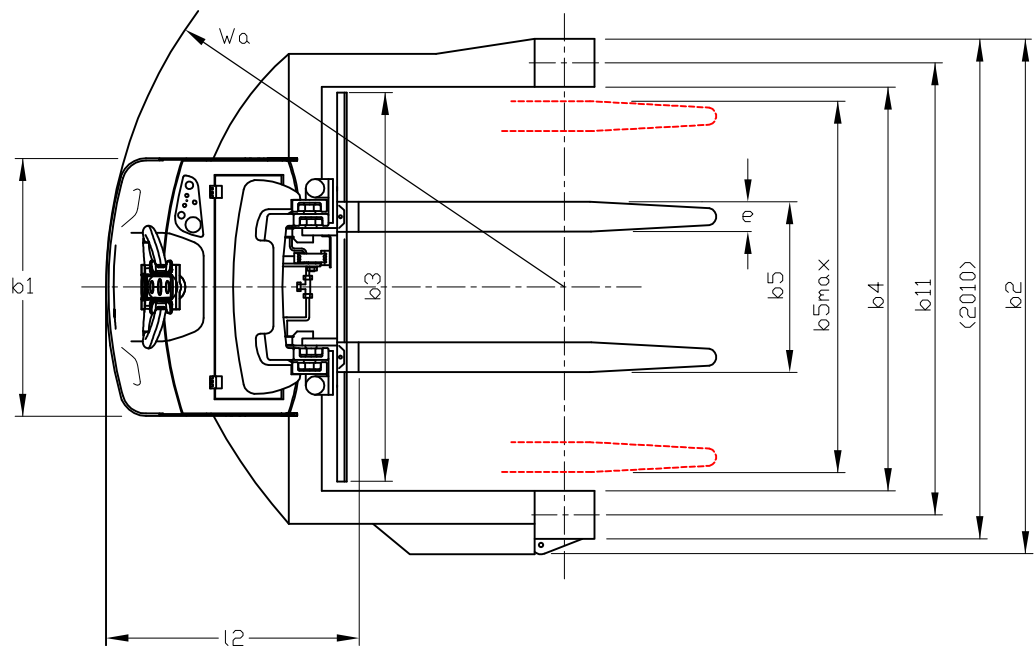
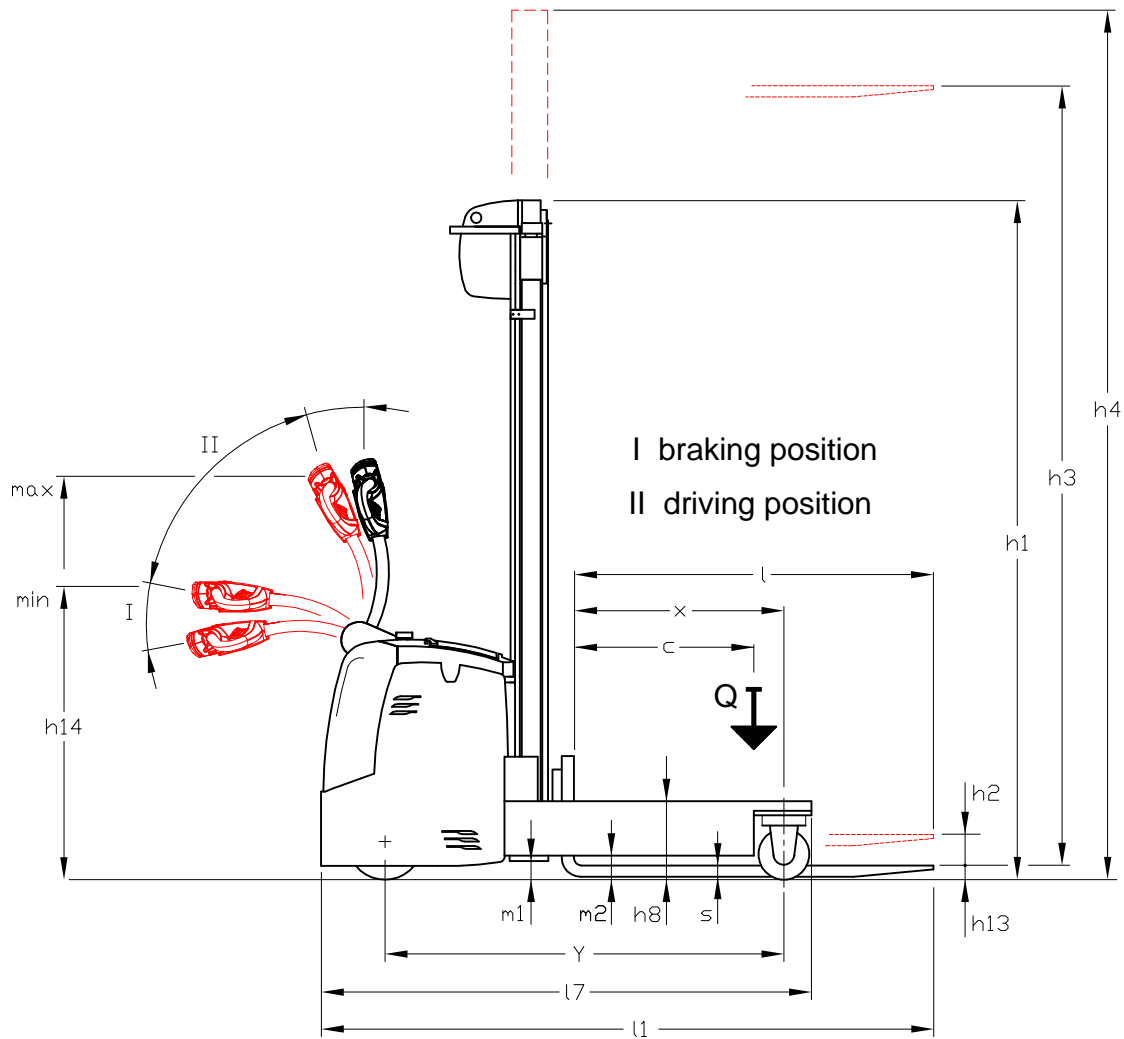
Алматы (7273)495-231	Калининград (4012)72-03-81	Омск (3812)21-46-40	Сыктывкар (8212)25-95-17
Ангарск (3955)60-70-56	Калуга (4842)92-23-67	Орел (4862)44-53-42	Тамбов (4752)50-40-97
Архангельск (8182)63-90-72	Кемерово (3842)65-04-62	Оренбург (3532)37-68-04	Тверь (4822)63-31-35
Астрахань (8512)99-46-04	Киров (8332)68-02-04	Пенза (8412)22-31-16	Тольятти (8482)63-91-07
Барнаул (3852)73-04-60	Коломна (4966)23-41-49	Петрозаводск (8142)55-98-37	Томск (3822)98-41-53
Белгород (4722)40-23-64	Кострома (4942)77-07-48	Псков (8112)59-10-37	Тула (4872)33-79-87
Благовещенск (4162)22-76-07	Краснодар (861)203-40-90	Пермь (342)205-81-47	Тюмень (3452)66-21-18
Брянск (4832)59-03-52	Красноярск (391)204-63-61	Ростов-на-Дону (863)308-18-15	Ульяновск (8422)24-23-59
Владивосток (423)249-28-31	Курск (4712)77-13-04	Самара (846)206-03-16	Улан-Удэ (3012)59-97-51
Владикавказ (8672)28-90-48	Курган (3522)50-90-47	Саранск (8342)22-96-24	Уфа (347)229-48-12
Владимир (4922)49-43-18	Липецк (4742)52-20-81	Санкт-Петербург (812)309-46-40	Хабаровск (4212)92-98-04
Волгоград (844)278-03-48	Магнитогорск (3519)55-03-13	Саратов (845)249-38-78	Чебоксары (8352)28-53-07
Вологда (8172)26-41-59	Москва (495)268-04-70	Севастополь (8692)22-31-93	Челябинск (351)202-03-61
Воронеж (473)204-51-73	Мурманск (8152)59-64-93	Симферополь (3652)67-13-56	Череповец (8202)49-02-64
Екатеринбург (343)384-55-89	Набережные Челны (8552)20-53-41	Смоленск (4812)29-41-54	Чита (3022)38-34-83
Иваново (4932)77-34-06	Нижний Новгород (831)429-08-12	Сочи (862)225-72-31	Якутск (4112)23-90-97
Ижевск (3412)26-03-58	Новокузнецк (3843)20-46-81	Ставрополь (8652)20-65-13	Ярославль (4852)69-52-93
Иркутск (395)279-98-46	Новосибирск (383)227-86-73	Сургут (3462)77-98-35	
Казань (843)206-01-48	Киргизия (996)312-96-26-47	Россия (495)268-04-70	Казахстан (772)734-952-31

Electric Pedestrian Pallet Stacker KMSac.4W 12xxxx DT

Type sheet for industrial Trucks according to **VDI 2198**

Characteristics	1.1	Manufacturer			Veni and Co Ltd		
					122940 DT	123410 DT	123818 DT
	1.2	Model designation					
	1.3	Power unit			Battery		
	1.4	Operation			Pedestrian		
	1.5	Load capacity	Q	(kg)	1200		
	1.5.1	Residual capacity	Qres	-	-	-	-
		$h_3+h_{13} = - / - * / - **$ mm	-	(kg)	-	-	-
		$h_3+h_{13} = 3000 / 3470* / 3878**$ mm	-	(kg)	1200	1200*	1200**
	1.6	Load center	c	(mm)	600		
	1.8	Axle center to fork face	x	(mm)	760		
	1.9	Wheel-base	y	(mm)	1445		
	2.1	Service weight		(kg)	1170	1190	1230
Wheels/tyres	3.1	Tyres front/rear (Polyurethane/PU, Vulkollan/VU)			VU/VU		
	3.2	Tyre size, front (drive) wheel		(mm)	D 254x100		
	3.3	Tyre size, rear (load) wheel		(mm)	D 150x50 Twin		
	3.4	Suport wheel - 2 pcs.		(mm)	-		
	3.5	Wheels, number front (drive)/ rear (load) (x=driven)		(mm)	1x/4		
	3.6	Track width, front	b ₁₀	(mm)	-		
	3.7	Track width, rear	b ₁₁	(mm)	1130-1530-1830		
Dimensions	4.2	Height, mast lowered	h ₁	(mm)	2035	2270	2474
	4.3	Free lift	h ₂	(mm)	100		
	4.4	Lift	h ₃	(mm)	2940	3410	3818
	4.5	Height, mast extended	h ₄	(mm)	3455	3925	4333
	4.9	Height of tiller in drive position min/max	h ₁₄	(mm)	1320/1500		
	4.10	Height of wheel arms	h ₈	(mm)	280		
	4.15	Height lowered	h ₁₃	(mm)	60		
	4.15.1	Height forks lifted	h ₃ +h ₁₃	(mm)	3000	3470	3878
	4.19	Overall length	l ₁	(mm)	2082		
	4.20	Length to fork face	l ₂	(mm)	882		
	4.21	Overall width front	b ₁	(mm)	866		
		Overall width rear	b ₂	(mm)	1395-1795-2095		
	4.22	Fork dimensions	s/e/l	(mm)	40/100/1200		
	4.23	Fork carriage ISO 2328	-	-	Class2B		
	4.24	Fork carriage width	b ₃	(mm)	900-1300-1600		
	4.25	Overall forks width min/max	b ₅	(mm)	300/860-1260-1560		
	4.26	Distance between wheel arms	b ₄	(mm)	950-1350-1650		
4.31	Ground clearance, below mast	m ₁	(mm)	60			
4.32	Ground clearance, center of wheelbase	m ₂	(mm)	80			
4.34	Aisle width for pallets 800x1200mm along forks	Ast	(mm)	-			
	Aisle width for pallets 800x1200mm across forks	Ast	(mm)	-			
4.35	Turning radius	Wa	(mm)	1642			
4.37	Length across wheel arms	l ₇	(mm)	1787			
Performance	5.1	Travel speed, with/without load		(km/h)	5.4/6.0		
	5.2	Lifting speed, with/without load		(m/s)	0.130/0.210		
	5.3	Lowering speed, with/without load		(m/s)	0.215/0.230		
	5.8	Maximum climbing ability, with/without load, rating 5 min		(%)	-		
	5.10	Service brake			Electromagnetic, regenerative		
Drive	6.1	Drive motor, rating S2 60 min		(kW)	2.9		
	6.2	Lift motor, rating S3 15%		(kW)	2.2		
	6.4	Battery voltage/rated capacity C5		(V/Ah)	24/270		
Other	8.1	Type of drive control			Pulse controller		
					COMBI AC/300A		

KMSac.4W 12xxxx DT



Electric Pedestrian Pallet 4-way Stacker KMSac 12xxxx DT

Standard equipment:

- Mid to Heavy-duty application
- Max. travel speed - 6,0 km/h
- Nominal capacity – 1200 kg
- **Modern AC technology** - for high speed, high torque, quiet and smooth running;
 - AC Drive motor - **2,9 kW**;
 - AC Steering motor - **0,4 kW**.
- DC pump motor – **2,2 kW**;
- Electronics - modern **CANBUS-architecture** requiring less wiring, giving better reliability, providing easy and fast diagnostics;
- **Electric Powered progressive Steering**;
- Speed control by **Pulse controller COMBI AC/300A**:
 - smooth and gently running Forward/Backward;
 - smooth, step-less Lifting/Lowering;
 - regenerative braking with energy reclamation to the battery.
- Electronics - modern **CANBUS-architecture** requiring less wiring, giving better reliability, providing easy and fast diagnostics;
- Horn
- Automatic Braking:
 - EMERGENCY and PARKING electromagnetic brake
 - REGENERATIVE Braking when releasing Accelerator in a neutral position or reversing the travel direction
- Traction battery **24V 3PzS/270 Ah C5 / wet Pb Acid batteries**:
- High frequency/HF automatic on-board charger **24V/30A 1ph.**:
- EMERGENCY Switch
- Multifunction Digital Indicator displaying:
 - Battery's state of charge
 - Hour meter
 - Alarms
- **Proportional hydraulics for smooth, step less Lifting/Lowering speed control**
- **External Battery-charging Indicator**;
- Spring loaded Drive wheel;
- Traction wheel – VULKOLLAN tire 254x100mm;
- Support / Load wheels – VULKOLLAN tire;
- **CREEP SPEED** function – travelling in restricted areas with Tiller-arm in upright position
- Automatic Travel speed reduction when forks raised 1200 mm and more
- Robust Two-stage clear view mast / Duplex Telescopic
- Low-maintenance Drive-wheel unit:
 - Modern AC traction motor in vertical position
 - High efficient gear box /gears in oil bath - oil change required after 2000 working hours
 - High quality Traction wheel with VULKOLLAN, 93° Shore A tyre (other tyres available on request)
 - High quality Electromagnetic Brake with environment-friendly friction lining

Specific standard equipment:

- Chassis design – Straddle legs
- Distance between the wheel arms “b4=950mm” - Standard (1350 and 1650mm - Optional)
- Specific Load wheels;
- Fork carriage class 2B, ISO 2328, Carriage width “b3=900mm” - Standard (1300 and 1600 – Optional)
- Forged forks 40/100/1200mm, manually adjustable Overall forks width “b5= from 300 to 860” – Standard (1260 and 1560mm).

Optional Equipment

- Batteries with higher capacity:
 - 315/375 Ah C5, incl. charger 24V/45Aplus 233/377 € -
- Authorized access with PIN-Code management
- Full Free-lift mast
- Optional Straddle legs distance:
 - “b4=1350mm”
 - “b4=1650mm”plus 186 € -
- Maintenance-free batteries
- plus 174 € -
- plus 380 € -
- plus 247 € -
- by request -

<https://veni.nt-rt.ru> | | vni@nt-rt.ru

Алматы (7273)495-231
Ангарск (3955)60-70-56
Архангельск (8182)63-90-72
Астрахань (8512)99-46-04
Барнаул (3852)73-04-60
Белгород (4722)40-23-64
Благовещенск (4162)22-76-07
Брянск (4832)59-03-52
Владивосток (423)249-28-31
Владикавказ (8672)28-90-48
Владимир (4922)49-43-18
Волгоград (844)278-03-48
Вологда (8172)26-41-59
Воронеж (473)204-51-73
Екатеринбург (343)384-55-89
Иваново (4932)77-34-06
Ижевск (3412)26-03-58
Иркутск (395)279-98-46
Казань (843)206-01-48

Калининград (4012)72-03-81
Калуга (4842)92-23-67
Кемерово (3842)65-04-62
Киров (8332)68-02-04
Коломна (4966)23-41-49
Кострома (4942)77-07-48
Краснодар (861)203-40-90
Красноярск (391)204-63-61
Курск (4712)77-13-04
Курган (3522)50-90-47
Липецк (4742)52-20-81
Магнитогорск (3519)55-03-13
Москва (495)268-04-70
Мурманск (8152)59-64-93
Набережные Челны (8552)20-53-41
Нижний Новгород (831)429-08-12
Новокузнецк (3843)20-46-81
Ноябрьск (3496)41-32-12
Новосибирск (383)227-86-73
Киргизия (996)312-96-26-47

Омск (3812)21-46-40
Орел (4862)44-53-42
Оренбург (3532)37-68-04
Пенза (8412)22-31-16
Петрозаводск (8142)55-98-37
Псков (8112)59-10-37
Пермь (342)205-81-47
Ростов-на-Дону (863)308-18-15
Рязань (4912)46-61-64
Самара (846)206-03-16
Саранск (8342)22-96-24
Санкт-Петербург (812)309-46-40
Саратов (845)249-38-78
Севастополь (8692)22-31-93
Симферополь (3652)67-13-56
Смоленск (4812)29-41-54
Сочи (862)225-72-31
Ставрополь (8652)20-65-13
Сургут (3462)77-98-35
Россия (495)268-04-70

Сыктывкар (8212)25-95-17
Тамбов (4752)50-40-97
Тверь (4822)63-31-35
Тольятти (8482)63-91-07
Томск (3822)98-41-53
Уфа (347)229-48-12
Тюмень (3452)66-21-18
Ульяновск (8422)24-23-59
Улан-Удэ (3012)59-97-51
Тула (4872)33-79-87
Тюмень (3452)66-21-18
Самара (846)206-03-16
Саранск (8342)22-96-24
Санкт-Петербург (812)309-46-40
Саратов (845)249-38-78
Севастополь (8692)22-31-93
Симферополь (3652)67-13-56
Смоленск (4812)29-41-54
Сочи (862)225-72-31
Ставрополь (8652)20-65-13
Сургут (3462)77-98-35
Казakhstan (772)734-952-31