

Алматы (7273)495-231
Ангарск (3955)60-70-56
Архангельск (8182)63-90-72
Астрахань (8512)99-46-04
Барнаул (3852)73-04-60
Белгород (4722)40-23-64
Благовещенск (4162)22-76-07
Брянск (4832)59-03-52
Владивосток (423)249-28-31
Владикавказ (8672)28-90-48
Владимир (4922)49-43-18
Волгоград (844)278-03-48
Вологда (8172)26-41-59
Воронеж (473)204-51-73
Екатеринбург (343)384-55-89
Иваново (4932)77-34-06
Ижевск (3412)26-03-58
Иркутск (395)279-98-46
Казань (843)206-01-48

Калининград (4012)72-03-81
Калуга (4842)92-23-67
Кемерово (3842)65-04-62
Киров (8332)68-02-04
Коломна (4966)23-41-49
Кострома (4942)77-07-48
Краснодар (861)203-40-90
Красноярск (391)204-63-61
Курск (4712)77-13-04
Курган (3522)50-90-47
Липецк (4742)52-20-81
Магнитогорск (3519)55-03-13
Москва (495)268-04-70
Мурманск (8152)59-64-93
Набережные Челны (8552)20-53-41
Нижний Новгород (831)429-08-12
Новокузнецк (3843)20-46-81
Новосибирск (383)227-86-73
Ноябрьск (3496)41-32-12
Новосибирск (383)227-86-73
Киргизия (996)312-96-26-47

Омск (3812)21-46-40
Орел (4862)44-53-42
Оренбург (3532)37-68-04
Пенза (8412)22-31-16
Петрозаводск (8142)55-98-37
Псков (8112)59-10-37
Пермь (342)205-81-47
Ростов-на-Дону (863)308-18-15
Рязань (4912)46-61-64
Самара (846)206-03-16
Саранск (8342)22-96-24
Санкт-Петербург (812)309-46-40
Саратов (845)249-38-78
Севастополь (8692)22-31-93
Симферополь (3652)67-13-56
Смоленск (4812)29-41-54
Сочи (862)225-72-31
Ставрополь (8652)20-65-13
Сургут (3462)77-98-35
Россия (495)268-04-70

Сыктывкар (8212)25-95-17
Тамбов (4752)50-40-97
Тверь (4822)63-31-35
Тольятти (8482)63-91-07
Томск (3822)98-41-53
Тула (4872)33-79-87
Тюмень (3452)66-21-18
Ульяновск (8422)24-23-59
Улан-Удэ (3012)59-97-51
Уфа (347)229-48-12
Хабаровск (4212)92-98-04
Чебоксары (8352)28-53-07
Челябинск (351)202-03-61
Череповец (8202)49-02-64
Чита (3022)38-34-83
Якутск (4112)23-90-97
Ярославль (4852)69-52-93
Казахстан (772)734-952-31

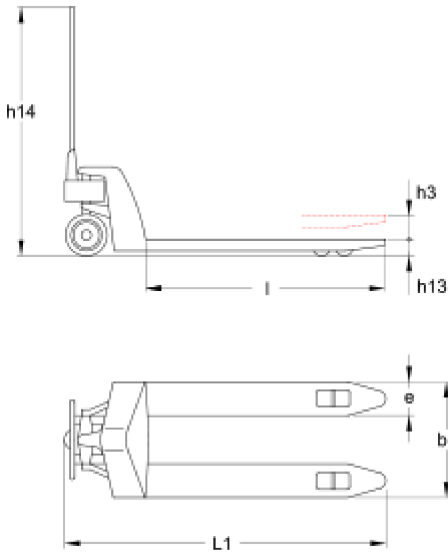


VI EPT Semi-Electric Pallet Truck

VI EPT Semi-Electric Pallet Truck

Detailed Information

Model			VI EPT 120-115
DESCRIPTION			
Power unit			Battery
Lifting/Lowering			Manual
Load capacity	Q	kg	1200
WEIGHT			
Service weight		kg	86-88
DIMENSIONS			
Forks length	l	mm	1150
Overall length	l1	mm	1600
Length to fork face	l2	mm	450
Overall forks width	b5	mm	525
Lift	h3	mm	115
Fork height, lowered	h13	mm	85
Height of tiller in drive position min./max.	h14	mm	710/1185
Fork dimensions	s/e/l	mm	55/150/1150
Aisle width with pallet 800x1200 mm along forks	Ast	mm	2063
Turning radius	Wa	mm	1382
WHEELS/TYRES			
Tyres front/rear			RUB/PUR
Tyre size, front (Ø x width)			200x40
Tyre size, rear (Ø x width)			82x60
Wheels, number			
front, driven / rear			2/4
* PUR - Polyurethane			
* RUB - Rubber			
PERFORMANCE			
Max. speed with/without load		km/h	4,2/5,3
Maximum gradeability, with/ without load		%	5/15
Service brake			Electromagnetic
DRIVE			
Drive motor		kW	2x0,25
Traction battery voltage/ rated capacity C5		V/Ah	36/12,8
Charging device, 4 hours until fully charged		V/A	36/3



* PU – Polyurethane

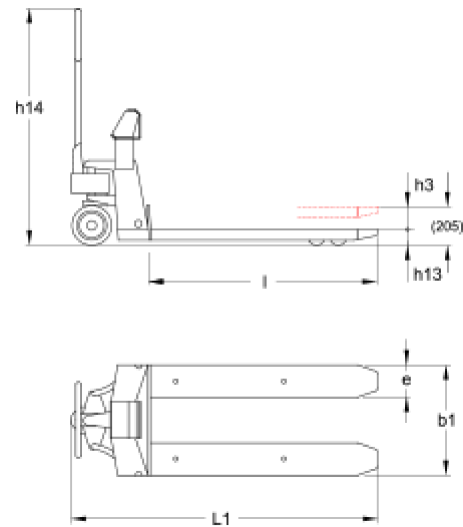
* RUB – Rubber

* PA – Polyamide



Detailed Information

Model		GS/P 25-1150 VI HP	
Description		SCALE	
Drive		Manual	
Load capacity		Q	kg
		2500	
Dimensions			
Fork length	l	mm	1185
Overall length	L1	mm	1596
Overall width	b1	mm	555
Lift	h3	mm	115
Height, lowered	h13	mm	90
Height of tiller in drive position	h14	mm	1160
Fork dimensions	mm	s/e/l	60/180/1185
Tyres			
Tyres front*/back		PU/PU	
Tyres front (Ø x width)		200x55	
Tyres back (Ø x width)		82x60	
Wheels Number			
(x=driven) Front/Rear		2/4	
Weights			
Service weight		kg	124



* PU – Polyurethane

* RUB – Rubber

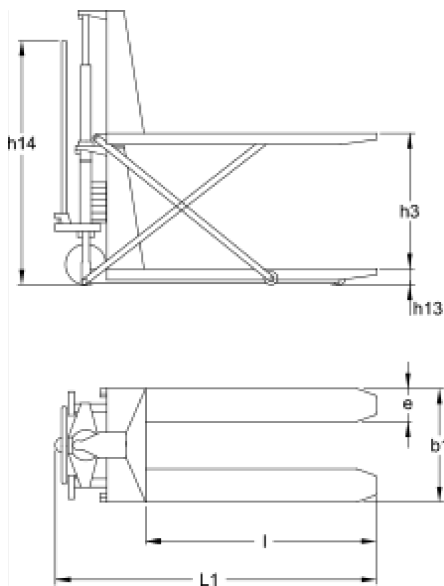
* PA – Polyamide

VI HPT Hand Pallet Truck High Lift

High Lift Hand Pallet Truck



Model		HX10M VI HPT	
Description		HIGH LIFT	
Drive		Manual	
Load capacity	Q	kg	1000
Dimensions			
Fork length	l	mm	1150
Overall length	L1	mm	1526
Overall width	b1	mm	540
Lift	h3	mm	715
Height, lowered	h13	mm	85
Height of tiller in drive position	h14	mm	1250
Fork dimensions	mm	s/e/l	48/160/1150
Tyres			
Tyres front*/back		PU/PU	
Tyres front (∅ x width)		200x45	
Tyres back (∅ x width)		80x50	
Wheels Number			
(x=driven) Front/Rear		2/2	
Weights			
Service weight		kg	104



VI HPT Hand Pallet Truck Inox

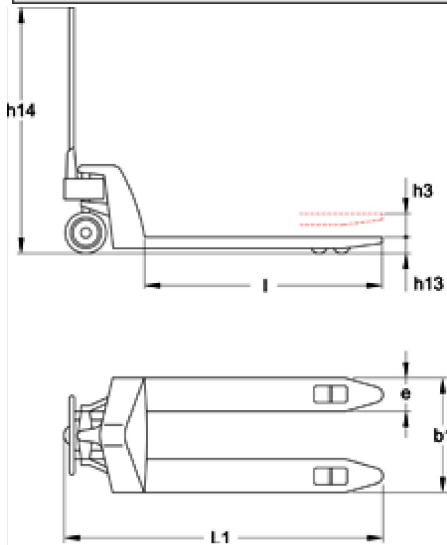
Stainless Hand Pallet Truck

[GET QUOTE](#)



Detailed Information

Model		GS/L 25-115 VI HPT	
Description		INOX	
Hydraulic unit		INOX	
Frame		INOX	
Tiller		INOX	
Drive		Manual	
Load capacity	Q	kg	2500
Dimensions			
Fork length	l	mm	1150
Overall length	L1	mm	1550
Overall width	b1	mm	525
Lift	h3	mm	115
Height, lowered	h13	mm	85
Height of tiller in drive position	h14	mm	1160
Fork dimensions	mm	s/e/l	55/150/1150
Tyres			
Tyres front*/back		PA/PA	
Tyres front (Ø x width)		200x50	
Tyres back (Ø x width)		82x60	
Wheels Number			
(x=driven) Front/Rear		2/4	
Weights			
Service weight		kg	69

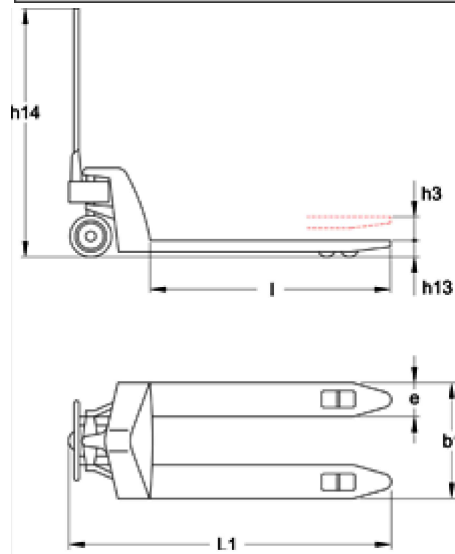


VI HPT Hand Pallet Truck Mixed Galvanized/Inox

Galvanized/Stainless Hand Pallet Truck



Model		GS/L 25-115 VI HPT	
Description			INOX
Hydraulic unit			INOX
Frame			INOX
Tiller			INOX
Drive			Manual
Load capacity	Q	kg	2500
Dimensions			
Fork length	l	mm	1150
Overall length	L1	mm	1550
Overall width	b1	mm	525
Lift	h3	mm	115
Height, lowered	h13	mm	85
Height of tiller in drive position	h14	mm	1160
Fork dimensions	mm	s/e/l	55/150/1150
Tyres			
Tyres front*/back			PA/PA
Tyres front (∅ x width)			200x50
Tyres back (∅ x width)			82x60
Wheels Number			
(x=driven) Front/Rear			2/4
Weights			
Service weight		kg	69

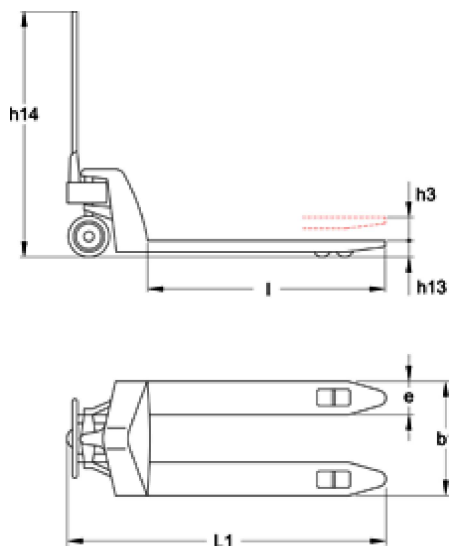


VI HPT Long Forks Hand Pallet Truck

Long Forks Hand Pallet Truck



Model		GS/G 25-1150 VI HP	
Description		GALVANIZED	
Hydraulic unit		GALVANIZED	
Frame		INOX	
Tiller		INOX	
Drive		Manual	
Load capacity		Q	kg
			2500
Dimensions			
Fork length	l	mm	1150
Overall length	L1	mm	1550
Overall width	b1	mm	525
Lift	h3	mm	115
Height, lowered	h13	mm	85
Height of tiller in drive position	h14	mm	1160
Fork dimensions	mm	s/e/l	55/150/1150
Tyres			
Tyres front*/back		PA/PA	
Tyres front (∅ x width)		200x50	
Tyres back (∅ x width)		82x60	
Wheels Number			
(x=driven) Front/Rear		2/4	
Weights			
Service weight		kg	63



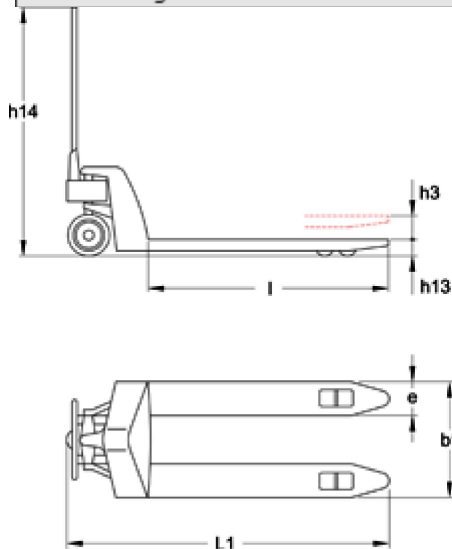
VI HPT 3T Hand Pallet Truck

Hand Pallet Truck for 3 tons



Detailed Information

Model			GS 25-180 VI HPT	GS 25-200 VI HPT
Description			LONG FORKS	LONG FORKS
Drive			Manual	Manual
Load capacity	Q	kg	2500	2500
Dimensions				
Fork length	l	mm	1800	2000
Overall length	L1	mm	2200	2400
Overall width	b1	mm	525	525
Lift	h3	mm	115	115
Height, lowered	h13	mm	85	85
Height of tiller in drive position	h14	mm	1160	1160
Fork dimensions	mm	s/e/l	55/150/1150	55/150/1150
Tyres				
Tyres front*/back			RUB/PU	RUB/PU
Tyres front (∅ x width)			200x55	200x55
Tyres back (∅ x width)			82x60	82x60
Wheels Number				
(x=driven) Front/Rear			2/4	2/4
Weights				
Service weight	kg		129	140



* PU – Polyurethane

* RUB – Rubber

* PA – Polyamide

VI HPT Hand Pallet Truck Standard

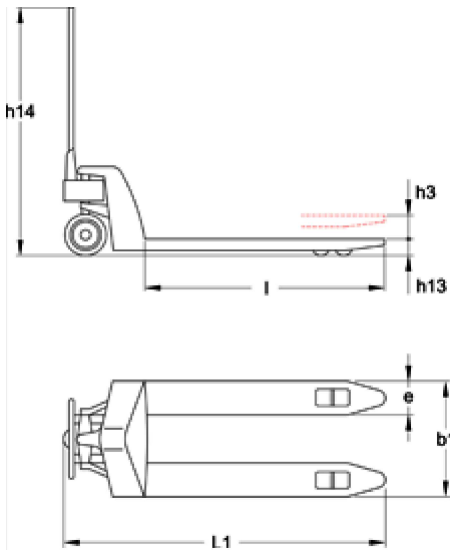
VI HPT Standard Hand Pallet Truck

[GET QUOTE](#)



Detailed Information

Model		GS 30-1150 VI HPT	
Description		3 TONS	
Drive		Manual	
Load capacity	Q	kg	3000
Dimensions			
Fork length	l	mm	1150
Overall length	L1	mm	1550
Overall width	b1	mm	525
Lift	h3	mm	115
Height, lowered	h13	mm	85
Height of tiller in drive position	h14	mm	1160
Fork dimensions	mm	s/e/l	55/150/1150
Tyres			
Tyres front*/back		RUB/PU	
Tyres front (∅x width)		200x55	
Tyres back (∅ x width)		82x60	
Wheels Number			
(x=driven) Front/Rear		2/4	
Weights			
Service weight		kg	79



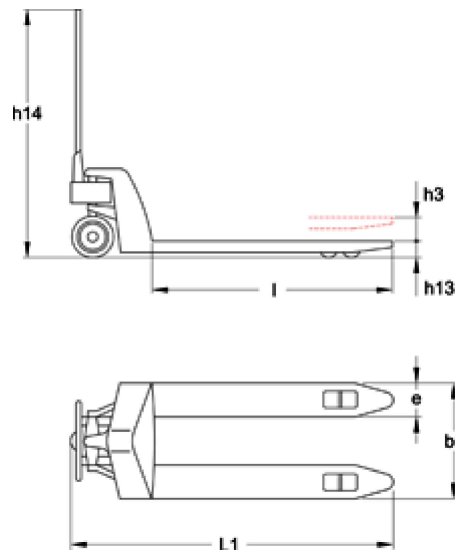
PFAFF Silverline Hand Pallet Truck

PFAFF Silverline Standard Hand Pallet Truck



Detailed Information

Model		GS 25-115 VI HPT	
Description		STANDARD	
Drive		Manual	
Load capacity	Q	kg	2500
Dimensions			
Fork length	l	mm	1150
Overall length	L1	mm	1550
Overall width	b1	mm	525
Lift	h3	mm	115
Height, lowered	h13	mm	85
Height of tiller in drive position	h14	mm	1160
Fork dimensions	mm	s/e/l	55/150/1150
Tyres			
Tyres front*/back		RUB/PU; PU/PU	
Tyres front (∅ x width)		200x55	
Tyres back (∅ x width)		82x60	
Wheels Number (x=driven) Front/Rear		2/4	
Weights			
Service weight		kg	63



* PU – Polyurethane

* RUB – Rubber

* PA – Polyamide

Technical Data

Model	Load Capacity	Lift Height	Fork Length
VI HPT	2500 kg	0.115 m	1150 mm

GET QUOTE

[Price List](#)

[Technical Data](#)

[Detailed Information](#)

Technical Data

Model	Load Capacity	Lift Height	Fork Length
PFAFF Silverline Standard	2500 kg	0.115 m	1150 mm

GET QUOTE

[Price List](#)

[Technical Data](#)

[Detailed Information](#)

Technical Data

Model	Load Capacity	Lift Height	Fork Length
GS 30-1150 VI HPT	3000 kg	0.115 m	1150 mm

GET QUOTE

[Price List](#)

[Technical Data](#)

[Detailed Information](#)

Technical Data

Model	Load Capacity	Lift Height	Fork Length
GS 25-180 VI HPT	2500 kg	0.115 m	1800 mm
GS 25-200 VI HPT	2500 kg	0.115 m	2000 mm

[Detailed Information](#)

Technical Data

Model	Load Capacity	Lift Height	Fork Length
GS/G 25-1150 VI HPT	2500 kg	0.115 m	1150 mm

GET QUOTE

[Price List](#)

[Technical Data](#)

[Detailed Information](#)

Technical Data

Model	Load Capacity	Lift Height	Fork Length
GS/X 25-115 VI HPT	2500 kg	0.115 m	1150 mm

Technical Data

Model	Load Capacity	Lift Height	Fork Length
GS/L 25-115 VI HPT	2500 kg	0.115 m	1150 mm

GET QUOTE

[Price List](#)

[Technical Data](#)

[Detailed Information](#)

Technical Data

Model	Load Capacity	Lift Height	Fork Length
HX10M VI HPT	1000 kg	0.715 m	0.715 mm

VI HPT Hand Pallet Truck with Scale and with Scale & Printer

Hand Pallet Truck with Scale & Printer

GET QUOTE

[Price List](#)

[Technical Data](#)

[Detailed Information](#)

Technical Data

Model	Load Capacity	Lift Height	Fork Length
GS/P 25-1150 VI HPT	2500 kg	0.115 m	1185 mm

[Price List](#)

[Technical Data](#)

[Detailed Information](#)

Technical Data

Model	Load Capacity	Lift Height	Fork Length
VI EPT 120-115	1200 kg	0.115 m	1150 mm

<https://veni.nt-rt.ru> | vni@nt-rt.ru

Алматы (7273)495-231
Ангарск (3955)60-70-56
Архангельск (8182)63-90-72
Астрахань (8512)99-46-04
Барнаул (3852)73-04-60
Белгород (4722)40-23-64
Благовещенск (4162)22-76-07
Брянск (4832)59-03-52
Владивосток (423)249-28-31
Владикавказ (8672)28-90-48
Владимир (4922)49-43-18
Волгоград (844)278-03-48
Вологда (8172)26-41-59
Воронеж (473)204-51-73
Екатеринбург (343)384-55-89
Иваново (4932)77-34-06
Ижевск (3412)26-03-58
Иркутск (395)279-98-46
Казань (843)206-01-48

Калининград (4012)72-03-81
Калуга (4842)92-23-67
Кемерово (3842)65-04-62
Киров (8332)68-02-04
Коломна (4966)23-41-49
Кострома (4942)77-07-48
Краснодар (861)203-40-90
Красноярск (391)204-63-61
Курск (4712)77-13-04
Курган (3522)50-90-47
Липецк (4742)52-20-81
Магнитогорск (3519)55-03-13
Москва (495)268-04-70
Мурманск (8152)59-64-93
Набережные Челны (8552)20-53-41
Нижегород (831)429-08-12
Новокузнецк (3843)20-46-81
Ноябрьск (3496)41-32-12
Новосибирск (383)227-86-73
Киргизия (996)312-96-26-47

Омск (3812)21-46-40
Орел (4862)44-53-42
Оренбург (3532)37-68-04
Пенза (8412)22-31-16
Петрозаводск (8142)55-98-37
Псков (8112)59-10-37
Пермь (342)205-81-47
Ростов-на-Дону (863)308-18-15
Рязань (4912)46-61-64
Самара (846)206-03-16
Саранск (8342)22-96-24
Санкт-Петербург (812)309-46-40
Саратов (845)249-38-78
Севастополь (8692)22-31-93
Симферополь (3652)67-13-56
Смоленск (4812)29-41-54
Сочи (862)225-72-31
Ставрополь (8652)20-65-13
Сургут (3462)77-98-35
Россия (495)268-04-70

Сыктывкар (8212)25-95-17
Тамбов (4752)50-40-97
Тверь (4822)63-31-35
Тольятти (8482)63-91-07
Томск (3822)98-41-53
Уфа (4872)33-79-87
Тюмень (3452)66-21-18
Ульяновск (8422)24-23-59
Улан-Удэ (3012)59-97-51
Уфа (347)229-48-12
Хабаровск (4212)92-98-04
Чебоксары (8352)28-53-07
Челябинск (351)202-03-61
Череповец (8202)49-02-64
Чита (3022)38-34-83
Якутск (4112)23-90-97
Ярославль (4852)69-52-93
Казахстан (772)734-952-31